



OUTDOORS

LARGE CAPACITY PROGRESSIVE PRIMER FEED

For 650, 76 Series, 8567 Grabber, and 9000 Series



OUTDOORS

LARGE CAPACITY PROGRESSIVE PRIMER FEED

For 650, 76 Series, 8567 Grabber, and 9000 Series.



Holds 200 + primers and features a self-lubricating plastic tray that pivots flat for easy primer filling.

A WORD ABOUT SAFETY

To make reloading safe, all it takes is common sense and the ability to read and follow the directions of the various component manufacturers.

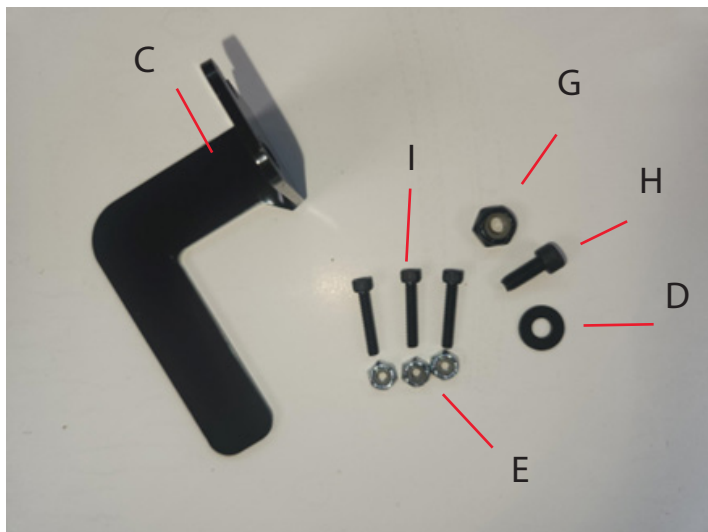
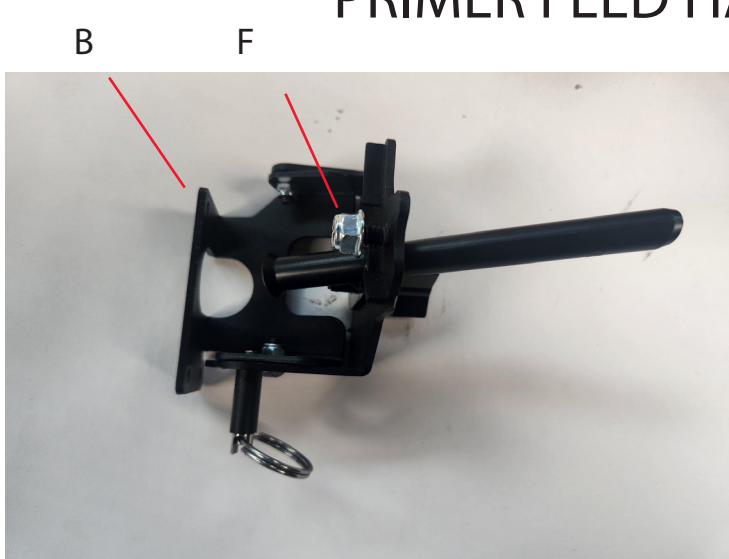
Primers require care in handling. Never take primers from the container that they come in until ready for use. Storage of primers in anything but the container that they were purchased in is unsafe. Exposing a primer to excessive heat, or to fires, flame or rough handling will cause it to explode. Do not store primers near your powder or where children can get at them.

When a manufacturer tells you to use a particular set of components in a shell it means precisely that. You cannot indiscriminately experiment with or substitute components without experiencing problems. At best, you will get a shell which fails to give the performance you expect. At worst, you may inflict serious injury upon yourself or someone else who fires your reloaded shells. The manufacturer has extensively tested recommended loads and knows how they perform. Always follow these recommendations exactly.

It is also highly recommended that safety glasses be worn when reloading.

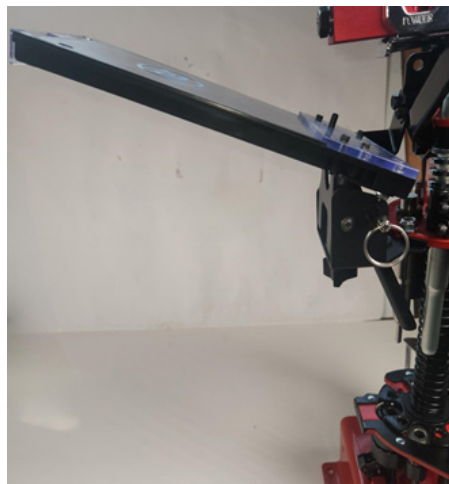
When finished reloading, remove the containers from your machine and seal them with caps and put them in a safe place. Also return all primers to their original container and store them in a safe place. It is important that these materials are kept out of the reach of children and other unauthorized persons.

PRIMER FEED HARDWARE LIST



HARDWARE LIST:

- A - Primer Tray
- B - Mounting Bracket
- C - 8965 Actuator Arm
- D - 623C Washer
- E - 2236 Nut
- F - 2004 Hex Flange Lock Nut
- G - 8982 Lock Nut
- H - 8324 Self-tapping Screw
- I - 5857821P3 Screws



TOOLS REQUIRED:

- (1) 7/16" wrench
- (1) 5/16" wrench
- 5/32" Allen wrench
- 7/64" Allen wrench



OUTDOORS

LARGE CAPACITY PROGRESSIVE PRIMER FEED

For 650, 76 Series, 8567 Grabber, and 9000 Series.

PRIMER FEED INSTALLATION INSTRUCTIONS

Step 1 - If you have purchased a reloader that already has the new mounting bracket installed, skip to instruction #5.

Step 2 - Before starting the installation of your new primer feed, it is recommended that you empty the carrier of all shells and tip the measure back out of the way.

Step 3 - Remove current primer feed and clamp assembly.

Step 4 - Remove lock nut (309E) from link bolt (Figure 1) and start shorter lock nut (8982) do not tighten yet. Slide this bolt to the left about 1/4" and slide the slot of actuator arm (8965) between the head of the bolt and link (Figure 2). Align the slot of the actuator arm with the hole in handle or hydraulic link strap, using 5/32 allen wrench, attach with (623C) washer and self-tapping screw (8324). Tighten actuator arm down about in the middle of the slot being careful not to over tighten. Now tighten the (8982) lock nut on the link bolt and back off 1/4 turn to allow the links to pivot. Note: On hydraulically operated machines, depress the pedal to make sure that the actuator arm (8965) does not contact the truss rod when the machine is in the down position. If it does, loosen the bolt that attaches the truss rod to the base and move it in slightly towards the machine and retighten.

Step 5 - Slide bracket into the slot of the turret. Push the bracket until the ribs are touching the edge of the turret (Fig 3). Use 1/2" lock nut to attach the bracket to the turret.

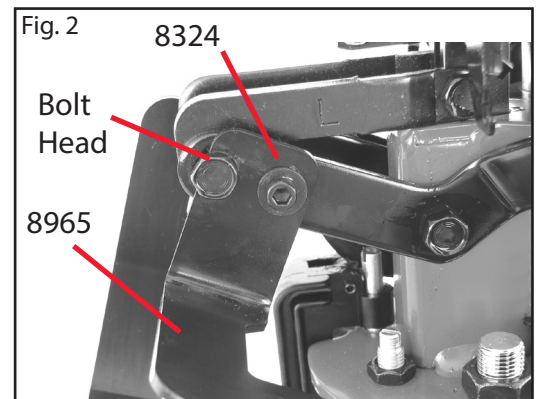
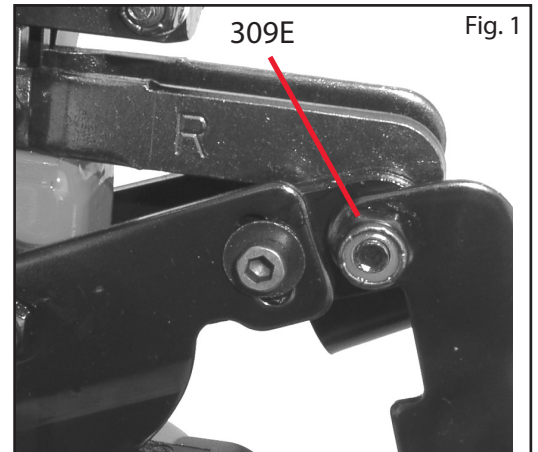


Fig. 3



Step 6 - Mount primer tray to bracket using the three #6 - 32 x 0.75 long screws (5857821P3) provided. Tighten screws using 7/64 allen wrench.

Step 7 - Loosen the thumbscrew on the mounting bracket and pivot primer tray down to its level position (Figure 7). Remove primer feed cover from tray by sliding it back, then lifting it off. Position box of primers face down on tray, slide box cover out and lift off the liner. You can now add another box of primers. Replace cover on tray and slide forward until it locks into position. Pivot the primer feed up until the tray spout fully enters the funnel of the drop tube and tighten the thumbscrew. As you tip up the tray, primer should fill up the slot leading into the slide that drops the primers. If the slot is not full, slide the primer pusher back and forth a couple of times (Figure 8).

Fig. 6

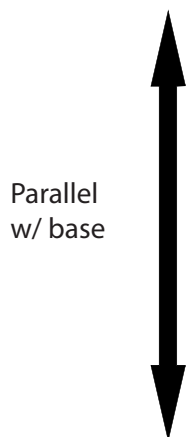


Fig. 4



Step 8 - Align the tube over the hole in the carrier. Tighten the thumb screw under the bracket to lock the tube into place. (Fig. 7)

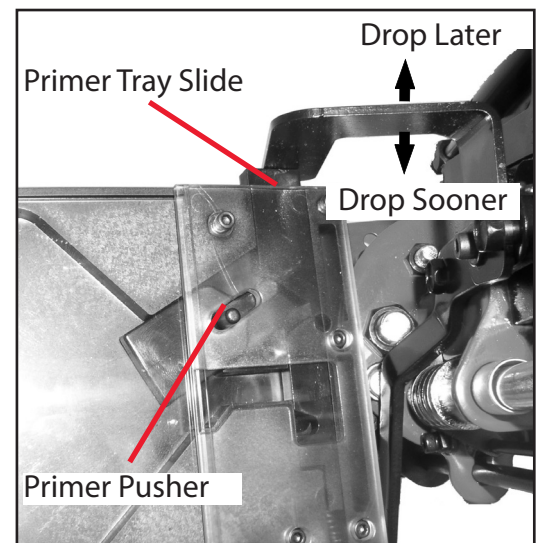
Step 9 - Depress handle or pedal to check for proper primer drop. Actuator arm (8965) should contact about 1/2 of primer tray slide (Figure 8), if it doesn't; the bracket is not parallel to the base. Loosen the bracket and readjust as per instruction #6. You can adjust when a primer drops by adjusting the actuator arm forward or backward. If primer drops late, loosen the self-tapping screw in actuator arm and move toward you as shown by the arrow in (Figure 8). If the primer drops too soon, loosen self-tapping screw in actuator arm and move slightly away from you.

Step 10 - If at any time you wish to stop the feeding of primers, simply pull the pin and lower the tray to its level position. You can now lower the machine and no primers will be dispersed. (Fig 7)

Fig. 7



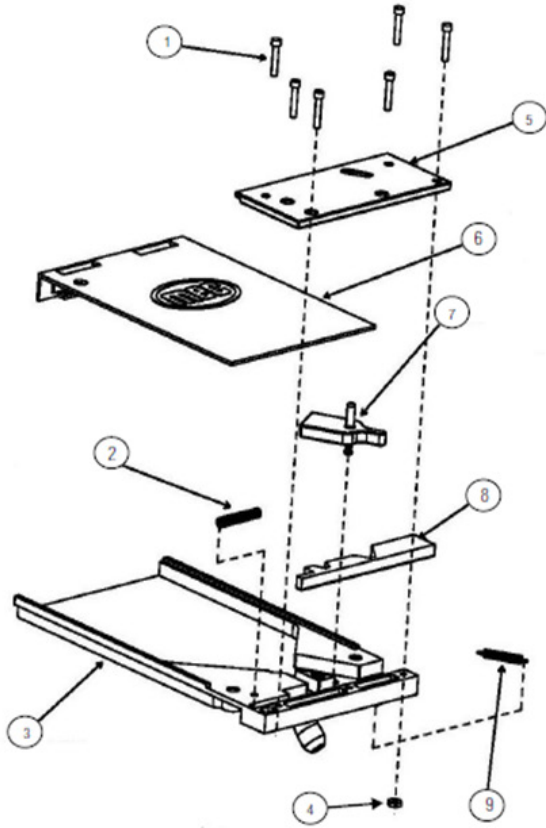
Fig. 8



Note: You may need to occasionally clean or polish the tray to make the primers slide properly. We recommend using either a silicone cloth or furniture polish. If over time you notice that the operation of the tray is not smooth anymore, you may need to clean off all of the sliding components. You can remove the small cover over the slide and pusher by taking out the three screws that are retained with nuts from the backside.

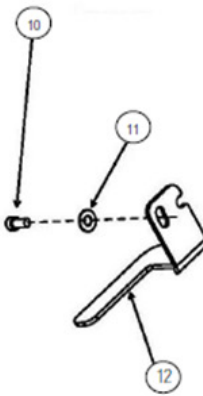
Caution: When removing the cover, make sure that you do not loose the spring that operates the primer feed slide. Wipe off all of the components and tray using a mild cleaner and reassemble.

PRIMER FEED EXPLODED PARTS



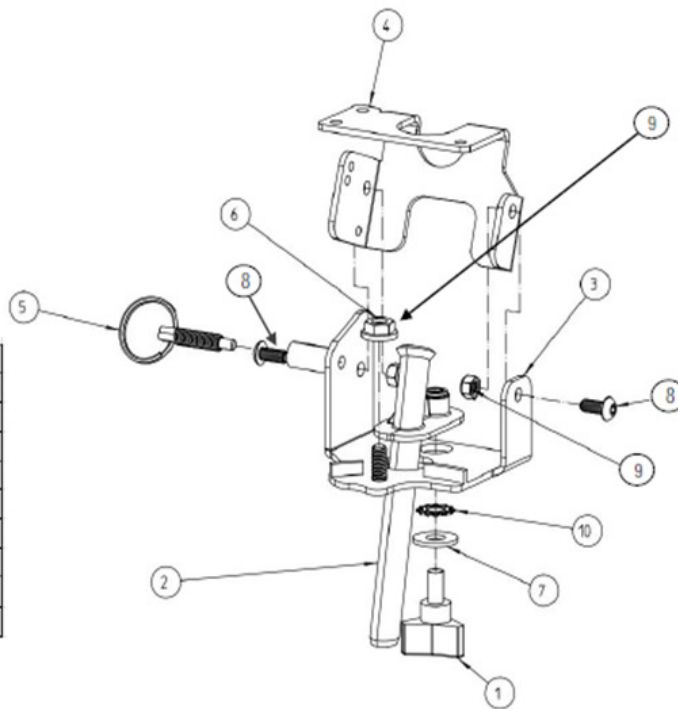
1008975 Tray Assembly

1	HDW5857821P3	SHCS 6-32 X 1/2 LONG
2	8978	SPRING - SLIDE
3	8959	TRAY BASE
4	HDW2238	LOCKNUT
5	8961	COVER - SLIDE
6	8962	COVER - TRAY
7	8963	PUSHER - PRIMER
8	8960	SLIDE
9	8976	SPRING-EXTENSION
10	HDW8324	#10-32 X 1/2 LONG SHCS SELF TAPPING
11	HDW623C	WASHER
12	8965	ACTUATOR



1009258 Primer Feeder Bracket

1	1008977	KNOB - PRIMER FEED
2	1009255	PRIMER FEEDER TUBE
3	1009256	PRIMER FEEDER TURRET BRACKET
4	1009257	PRIMER FEEDER PIVOT BRACKET
5	1009259	PULL RING
6	HDW2004	HEX FLANGE NUT
7	HDW2026	FLAT WASHER
8	HDW2234	SCREW (2)
9	HDW2235	NYLON LOCK NUT (2)
10	HDW685H	TOOTH WASHER





OUTDOORS

MEC Outdoors

800 Horicon Street, Suite 1

Mayville, WI 53050

mecoutdoors.com . 800-797-4632