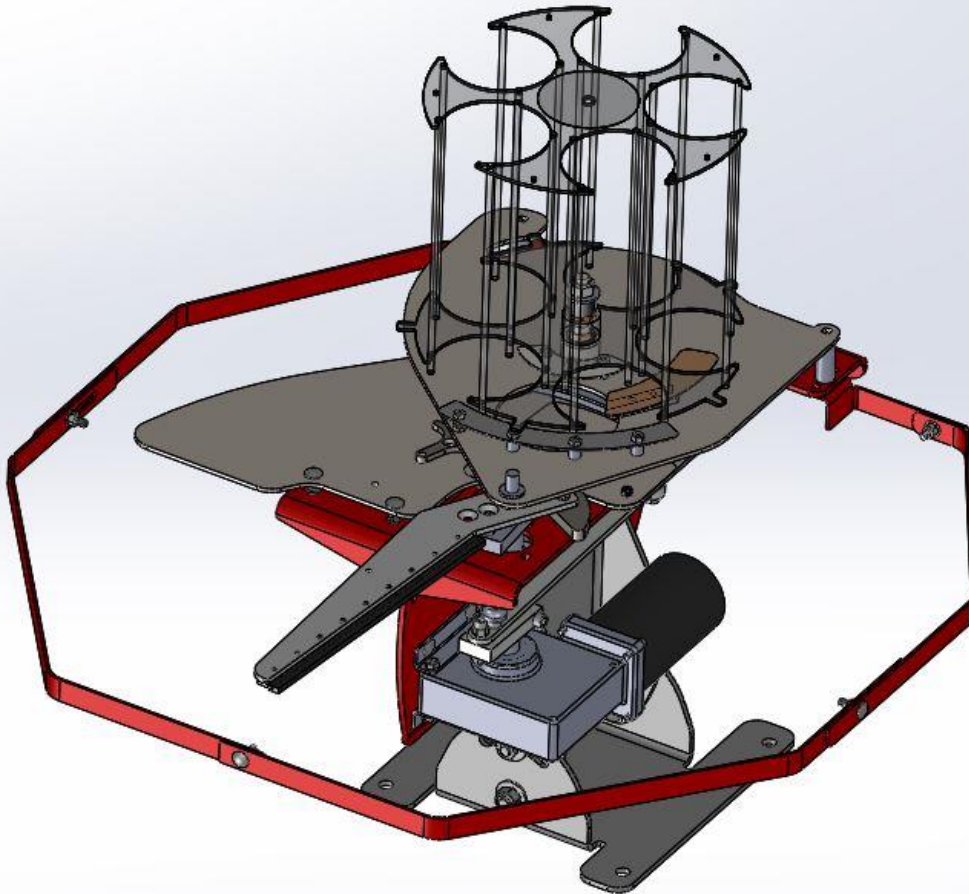




CLAY TARGET MACHINES

100E ARM GUARD INSTALLATION GUIDE



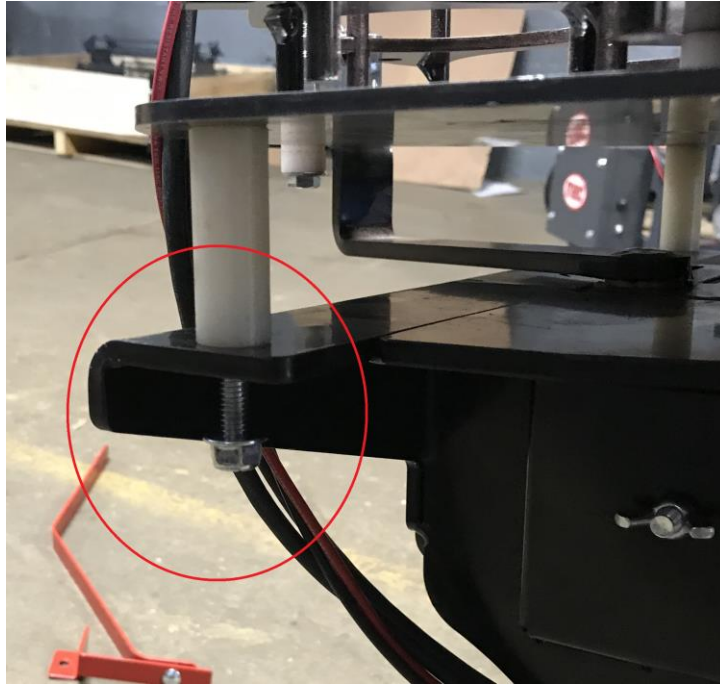
MEC PART # 120000593

NOTE: SEE LAST PAGE FOR EXPLODED VIEW AND HARDWARE LIST.

- 1) Remove existing nuts (part number hdw2020) from underneath the plastic spacers on the bottom side of the frame.***



CLAY TARGET MACHINES



- 2) Place the smaller of the two brackets (part number 120100583) on the bottom side where the nut was just removed. Fasten the bracket to the frame using hdw2020 that was removed in step 1. **NOTE: The smaller bracket must be placed on the OPPOSITE SIDE of the frame that the electric motor is mounted on.**





CLAY TARGET MACHINES

- 3) Place the larger of the two mounting brackets (part number 120100582) on the opposite side of the frame under the plastic spacer using the same process described in step 2. **NOTE: The larger of the two brackets must be placed on the same side as the electric motor.**



- 4) Next, place part number 120100584 on the inside of the large mounting bracket as shown below and use the following hardware numbers HDW2050 & HDW2020 to fasten the mounting bracket to the mating part.





CLAY TARGET MACHINES

5) Using the same process described in step 4, place part number **120100584** and fasten it to the small mounting bracket using the following hardware numbers. **HDW2050 & HDW2020**



6) Next, we need to mount the front formed brackets (**part numbers 120100623**) to the parts that we just mounted in the previous steps. You will notice that the part you will be fastening has a slot design, this is for adjustability for the length of the arm guard. **To be safe tighten the bracket with the slot pushed all the way forward as shown below. Be sure to leave the bolts slightly loose to allow for fine tuning after install is complete. Same hardware numbers used in this step as previous. HDW2050 & HDW2020.**





CLAY TARGET MACHINES

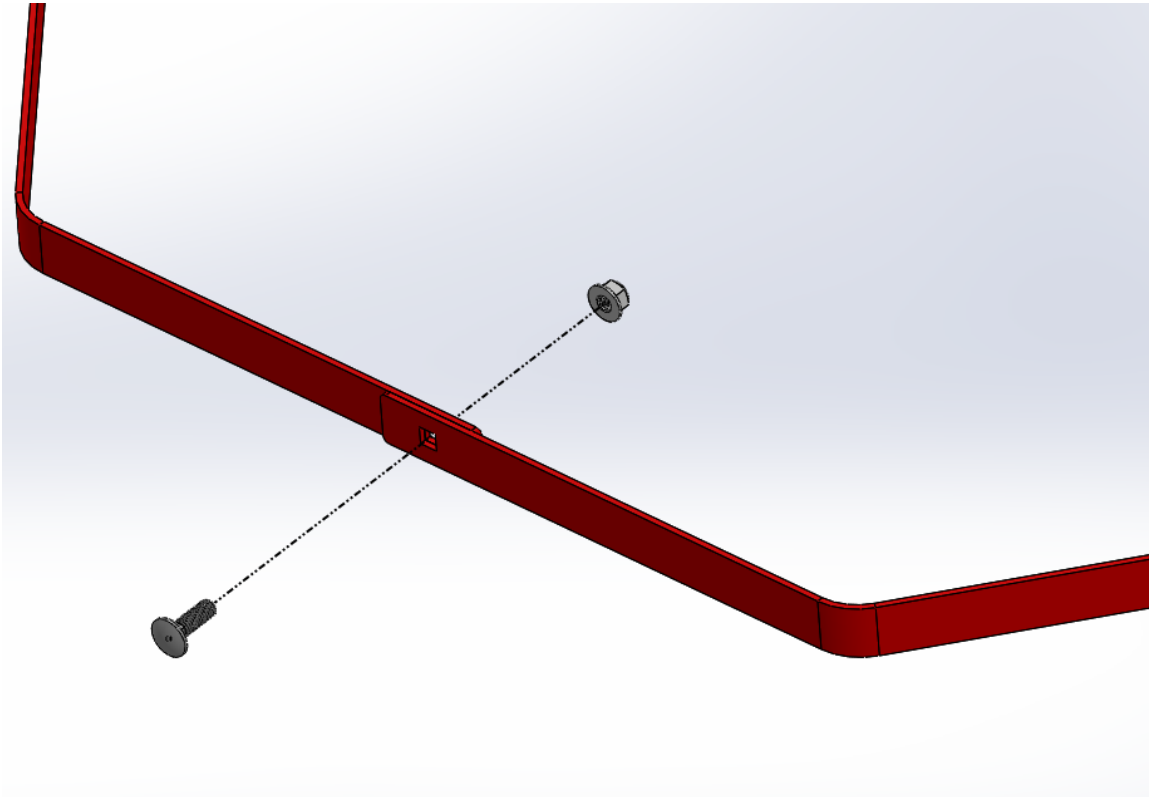
- 7) *In step 7 we will be doing the same thing as we did in step 6, just on the opposite side. Using hardware numbers HDW2050 & HDW2020 fasten the slotted end of the bracket to the square hole. **NOTE: Make sure that the slotted part is mounted on the inside of the part that has already been mounted previously.** Also, be sure to have the slotted bracket pushed all the way forward as shown below for safety purposes. We will be able to fine tune once the install is complete.*





CLAY TARGET MACHINES

- 8) In step 8 we need to fasten both front arm guards together (part numbers 120100623) line up the square cutouts as shown below and fasten the two together using HDW2050 & HDW2020.**



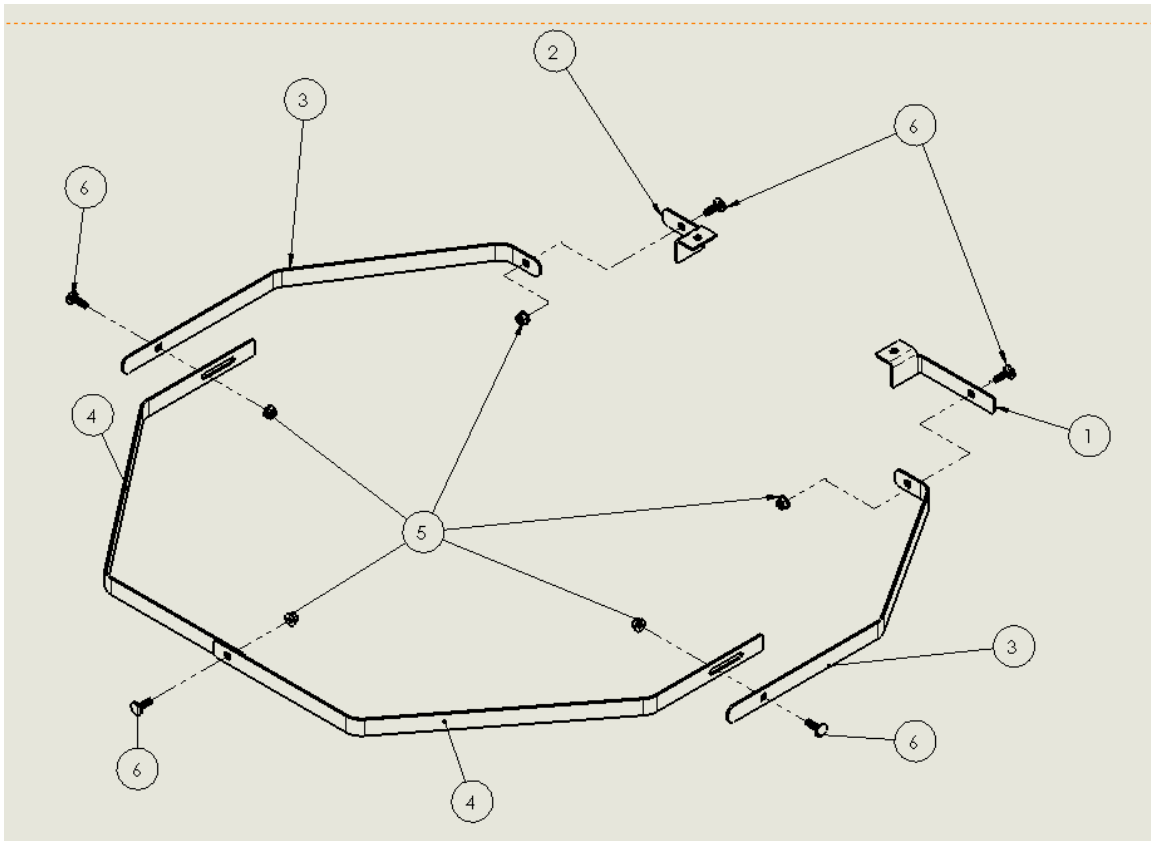
- 9) Last step would be to adjust the two front guard components as needed, for safety. After that is complete, go around and assure all hardware is tightened properly.**



CLAY TARGET MACHINES

See below for exploded view and hardware list

ITEM NO.	PART NUMBER	DESCRIPTION	QTY.
1	120100582	GUARD BRACKET LH	1
2	120100583	GUARD MOUNT RH	1
3	120100584	GUARD REAR FORM LH	2
4	120100623	100E FRONT ARM GUARD	2
5	HDW2020	5/16"-18 FLANGE LOCK NUT	5
6	HDW2050	5/16"- 18 X 1.00 CARRIAGE BOLT	5





CLAY TARGET MACHINES

