

MEC MARKSMAN™

Single-Stage Metallic Reloader





SAFETY

Reloading is a gratifying and enjoyable pastime that can be done very safely. Carelessness, negligence, or ignorance, however, can make reloading dangerous. MEC products have been designed with user safety in mind, but reloading safety rules must be understood and followed. By observing these rules, the chance of a hazardous occurrence causing personal injury or property damage is greatly reduced. Anyone attempting to reload ammunition should therefore ensure they are willing and able to read and follow instructions and warnings.

GENERAL

- Always wear adequate eye protection and use all equipment as manufacturer recommends.
- Wear protective gloves and be sure to thoroughly wash hands and clothes after reloading.
- Study the instructions carefully and become thoroughly familiar with the operation of the tool.
- Maintain “good housekeeping”, keeping all tools and components neat, clean and orderly.
- Reload only when you can give your undivided attention. Do not reload when fatigued or ill.
- Develop a reloading routine to avoid mistakes. Avoid haste — load at a leisurely pace.
- If any unusual resistance is met when operating handle, stop immediately and investigate cause. Proceeding against unusual resistance may damage equipment and/or cause serious injury!

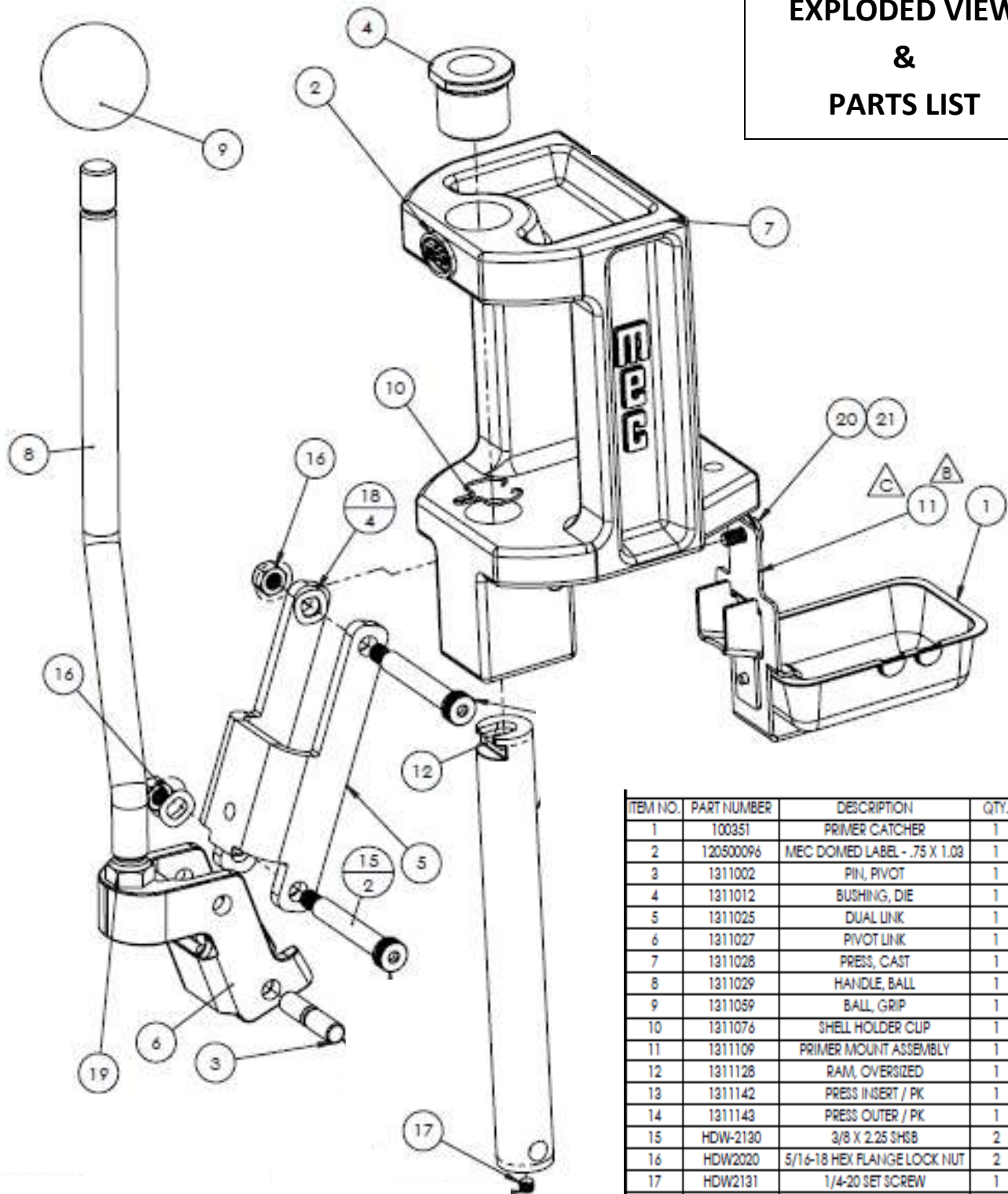
LOADING, PRIMERS, & POWDERS

- Observe all warnings about use of maximum listed loads
- Promptly and completely clean up primer and powder spills.
- Use only laboratory tested reloading data. (see reference section for recommendations)
- Follow your reloading manual’s guidelines for reloading powder charges for your cartridge
- Ensure you are using the correct primer for each cartridge you are choosing to reload.
- Store primers and powder out of reach of children, away from dampness and electrical equipment, in their original factory containers and in full accordance the manufacturers’ storage guidelines.
- Do not smoke, drink, or use medications that could impair your ability to attention while reloading
- Keep all powder or primers away from sources of heat, flames, dampness and electrical charges.
- Do not use primers of unknown identity and keep primers in original factory container until ready to use. Return unused primers to the same factory packaging for safety and to preserve their identity.
- Do not store primers in bulk, since blast of a few hundred primers is enough to cause serious injury.
- Do not force primers. Use care in handling primers.
- Do not mix powders or use any powder unless its identity is positively known.
- Discard all mixed powders and those of uncertain or unknown identity.
- Replace lids on both the powder hopper and powder can after the powder hopper has been filled.
- Before charging cases, settle the powder in the powder hopper. Load and check the weight of at least ten (10) charges. This will help assure you that the correct powder charge is being loaded.
- After a reloading session ends, pour remaining powder back in its original factory container. This will preserve the identity and shelf life of the powder.

- Keep complete record of reloads. Apply a descriptive label to each box showing the date produced, and the primer, powder and bullet used.

Since MEC has no control over the choice of components, the manner in which they are assembled, the use of this press, or the firearms in which the resulting ammunition may be used, no responsibility, either expressed or implied, is assumed for the use of ammunition reloaded with this press.

**EXPLODED VIEW
&
PARTS LIST**



ITEM NO.	PART NUMBER	DESCRIPTION	QTY.
1	100351	PRIMER CATCHER	1
2	120500096	MEC DOMED LABEL - .75 X 1.03	1
3	1311002	PIN, PIVOT	1
4	1311012	BUSHING, DIE	1
5	1311025	DUAL LINK	1
6	1311027	PIVOT LINK	1
7	1311028	PRESS, CAST	1
8	1311029	HANDLE, BALL	1
9	1311059	BALL, GRIP	1
10	1311076	SHELL HOLDER CUP	1
11	1311109	PRIMER MOUNT ASSEMBLY	1
12	1311128	RAM, OVERSIZED	1
13	1311142	PRESS INSERT / PK	1
14	1311143	PRESS OUTER / PK	1
15	HDW-2130	3/8 X 2.25 SH68	2
16	HDW2020	5/16-18 HEX FLANGE LOCK NUT	2
17	HDW2131	1/4-20 SET SCREW	1
18	HDW2134	3/8" WAVE WASHER	4
19	HDW2139	1/2-13 JAM NUT / BLACK OXIDE	1
20	HDW5633	1/4-20 X .5 GR. 5	1
21	HDW6717	1/4 WASHER USS	1
22	1311151	PRESS INSTRUCTION SHEET	1
23	1311146	HDW KIT PRESS	1

INSTRUCTIONS

1. Unpacking

Unpack press carefully and look for all items listed below:

- 1) Press
- 2) Press Handle
- 3) Primer Catcher Tray
- 4) Mounting Hardware

2. Mounting *(see figure to right)*

Position press on sturdy bench or stand with the mounting holes as far back as possible, while still allowing for complete movement and clearance of the ram and pivot link.

¼-20 3 ½” bolts are provided (3), which require drilling 5/16” holes per the supplied template on page 8. Mount press to bench or stand using bolts/nuts and ensure bolts/nuts are tight and the press is secure attached.

Note: Before drilling holes and mounting the press, also check for clearance of primer catch tray by installing it as shown to the right. If primer tray interferes with benchtop mounting, use of MEC press mount is recommended. (P/N 131150, sold separately).



3. Assembly

Install Press Handle by threading into hole in Pivot Link to a depth of ½”. Press Handle may be installed for either left or right hand operation, so orient it appropriately and then secure by tightening the Jam Nut against top of Pivot Link. Check clearance by slowly moving Press Handle full stroke and then adjusting position as needed using above method.

Install the primer catch tray under the mounted press by tilting rear of tray up and inserting front up and into the Primer Mount Assembly as shown in the picture at right.



WARNING

TO AVOID INJURY, READ AND FOLLOW THESE SAFE PRIMING PRACTICES.

DO NOT ATTEMPT TO PRIME MILITARY CARTRIDGE CASES WITH CRIMPED PRIMER POCKETS UNTIL THE CRIMP HAS BEEN REMOVED WITH A COUNTER SINK, ASPECIAL REAMER OR BY SWAGING. PRIMERS SEATED INTO CRIMPED POCKETS ARE SUBJECT TO DEFORMATION WHICH CAN CAUSE MISFIRES AND EVEN DETONATION DURING SEATING WHICH CAN CAUSE SERIOUS PERSONAL INJURY.

DO NOT ATTEMPT TO SEAT PRIMERS AGAINST EXCESSIVE RESISTANCE WHICH MIGHT CAUSE DETONATION AND POSSIBLE SERIOUS PERSONAL INJURY. CHECK TO BE CERTAIN THAT THE CASE WAS NOT PREVIOUSLY PRIMED, THAT THE FIRED PRIMER WAS REMOVED, THAT A PORTION OF THE PRIMER CUP WALL MIGHT STILL BE IN THE PRIMER POCKET AND THAT YOU ARE USING THE CORRECT SIZE PRIMER.

DO NOT MODIFY THE PRIMING SYSTEM IN ANY MANNER OR ATTEMPT TO USE SIMILAR PARTS OR PRIMING SYSTEMS FROM OTHER MANUFACTURER'S. TO DO SO COULD RESULT IN PRIMER DETONATIONS RESULTING IN SERIOUS PERSONAL INJURY.

NEVER SEAT A PRIMER INTO A POWDER CHARGED CASE.

DECAPPING LIVE PRIMERS IS EXTREMELY DANGEROUS AND IS NOT RECOMMENDED.

4. Insert Shell Holder

The MEC Marksman uses a patent pending “self-aligning” shell holder and retention system. Select your shell holder in accordance to your cartridge, press down on the front tab of the Shell Holder Clip, slide in the shell holder and release pressure on the Shell Holder Clip. (at right)



5. Clean, Inspect, and Lube Cases

Resizing cartridge cases, especially rifle cartridge cases, requires application of a case lubricant to be applied to the case body and inside the case neck. Applying too little lubricant will result in the case sticking in the die. A minimum amount of lubricate should be used on the inside neck portion to avoid buckling of the shoulder.

MEC recommends using MEC case tumbler, caliper, and case lube for cleaning, inspecting, and lubrication of cases. (see items at right)



6. Insert Sizing & Depriming Die

The MEC Marksman accepts 7/8-14 or 1 1/4-12 die set. Follow instructions for installation and adjustment of die manufacturer.

7. Sizing and Depriming (see figure to right)

With the ram top at the lowest position (i.e. Press Handle ball ‘up’) insert a cleaned and lubricated case into the case holder. As the Press Handle is pulled down and the ram moves up, the case will be sized as it enters the die and then deprimed near the top of the stroke. Note that MEC Marksman deposits spent primers down **below the press, keeping the ram and the press cleaner.**



8. Priming

Priming can be done with the customer’s preferred hand primer.

9. Powder Charge (see figure to right)

Charge the prepared case with a selected powder and weigh using either a scale, or powder measure in conjunction with a scale. Refer to reference section for list of reloading manuals.

MEC recommends the use of a MEC powder scale, powder measure, and powder trickler for measuring and charging cases.



10. Insert Bullet Seating Die

The MEC Marksman accepts 7/8-14 or 1 1/4-12 die set.
Follow instructions for installation and adjustment of die manufacturer.

11. Seat Bullet *(see figure to right)*

With the ram top at the lowest position (i.e. Press Handle ball 'up') insert a primed and charged case into the shell holder and place a bullet lightly on the case neck pointed 'up'. As the Press Handle is pulled down and the ram moves up, the bullet will be seated.



12. Cartridge Inspection *(see figure to right)*

Always check your reloaded cartridges for any possible defects. If you notice or sense any concerns about the integrity or the correctness of a reloaded cartridge, dispose of it properly.



WARNING

EVERY PERSON RELOADING IS RESPONSIBLE FOR ENSURING THE SAFETY OF THEIR LOADED CARTRIDGES

TO FURTHER LESSEN THE CHANCE OF DANGEROUS SITUATION...

- **DO NOT USE** more powder than recommended per loading references
- **DO NOT USE** a heavier bullet than recommended per loading references
- **DO NOT SEAT** the bullet deeper into the case than recommended per loading references
- **DO NOT USE** cases that have cracks or splits and check cases to ensure the proper length
- **High ambient temperatures or cartridges stored in hot locations will produce higher pressures**
- **Significantly oversized or excessively hard bullets or cases that are too long will cause higher pressures**

Maintenance

All MEC reloading presses are lubricated at the factory. As with any mechanical device, however, it is necessary to lubricate all moving parts from time to time with gun oil or 10W-30 motor oil. If rust spots develop, swab lightly with gun oil and wipe dry. Care should be taken to not apply oil where it could come in contact with primer pockets or primers, since oil will deactivate primers. It is a good practice to clean prior to lubrication to remove grit and other residue.

REFERENCES

Loading Data

Hodgdon® Powders <http://www.hodgdon.com/>

Alliant® Powders <http://www.alliantpowder.com/>

IMR® Powders <http://www.imrpowder.com/>

Accurate® Powders <http://www.accuratepowder.com/load-data/>

Nosler® Bullets <http://load-data.nosler.com/>

LIMITED LIFETIME WARRANTY

Reloading Press, Powder Trickler, and Powder Measure

Your MEC reloading press, powder trickler, powder measure and other MEC metallic reloading products have been produced under rigid standards of manufacture. These products are warranted to be free from defects in material or workmanship for as long as the original owner owns it. This warranty is extended only to original consumer purchaser and excludes any electrical components or products as well as any case preparation products. All MEC metallic reloading products are intended for non-commercial use by hobbyists. Any other use of these products will void the warranty.

In the event that your MEC reloading product is found to be defective in material or workmanship, MEC will repair or replace it (at MEC's option) at no charge. Should you believe that your MEC reloading product is defective in material or workmanship, please return it postage or freight prepaid along with dated proof of purchase, product information and reason for return to the below address. Also be sure certain your product is properly packaged to protect it from possible damage in transit.

***Mayville Engineering Company
Reloader Division – Warranty
715 South Street
Mayville, WI 53050***

Warranty services cannot be provided without meeting the above requirements.

THIS LIMITED LIFETIME WARRANTY DOES NOT COVER DEFECTS OR DAMAGE RESULTING FROM: CARELESSNESS, MISUSE, COMMERCIAL USE, ABUSE, IMPROPER INSTALLATION, MODIFICATION, OR NORMAL WEAR AND TEAR. THIS LIMITED LIFETIME WARRANTY IS IN LIEU OF ALL OTHER WARRANTIES, EXPRESSED OR IMPLIED, INCLUDING WITHOUT LIMITATION OF MERCHANTABILITY AND FITNESS FOR A PARTICULAR USE.

LIMITATION OF LIABILITY

MEC IS NOT LIABLE FOR DAMAGES IN EXCESS OF THE PURCHASE PRICE OF THE PRODUCT AND UNDER NO CIRCUMSTANCES SHALL MEC BE LIABLE FOR CONSEQUENTIAL OR INCIDENTAL DAMAGES. HOWEVER, SOME STATES DO NOT ALLOW LIMITATIONS ON CONSEQUENTIAL OR INCIDENTAL DAMAGES, SO ABOVE LIMITATION OR EXCLUSION MAY NOT APPLY TO YOU.

CUSTOMER SERVICE

We're here and ready to help you! Don't forget to take advantage of our trouble shooting tool and online owner's manuals, which are available 24/7. You may contact factory customer service at:

MEC Shooting Sports
800 Horicon Street, Suite 1
Mayville, WI 53050 USA

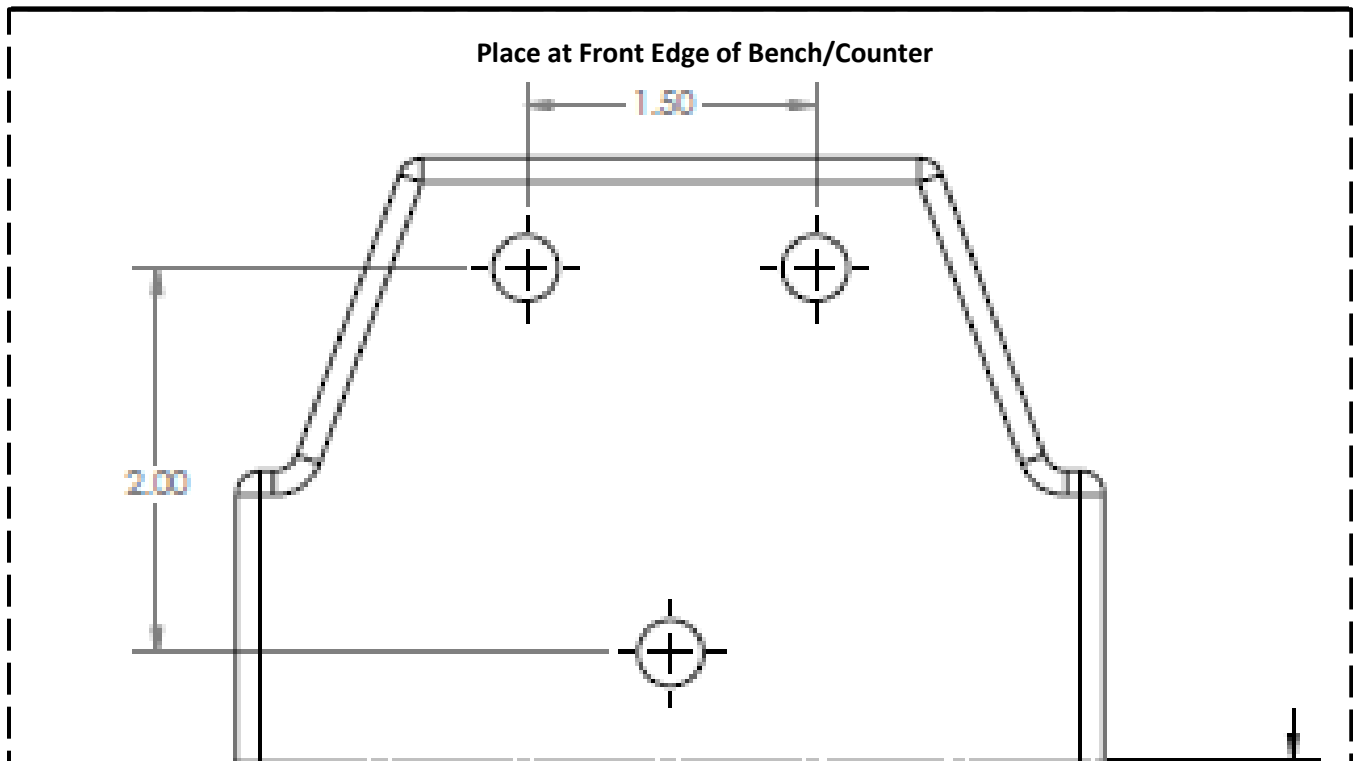
1-800-797-4632

www.mecshootingsports.com
reloadersales@mecshootingsports.com
info@mecshootingsports.com

Press Mounting Holes Template

Dimensions
are in Inches

Cut along dashed lines and solid line at the bottom



MEC SHOOTING SPORTS

Website: www.mecshootingsports.com

Facebook: <https://www.facebook.com/MECShootingSports/>

Twitter: https://twitter.com/MEC_Shooting

YouTube: <http://www.youtube.com/c/MECShootingSports>
<https://www.youtube.com/watch?v=tziTWiI8Qas>

Mayville Engineering Company (MEC)

Website: www.mecinc.com

1311151 Rev A