



CLAY TARGET MACHINES

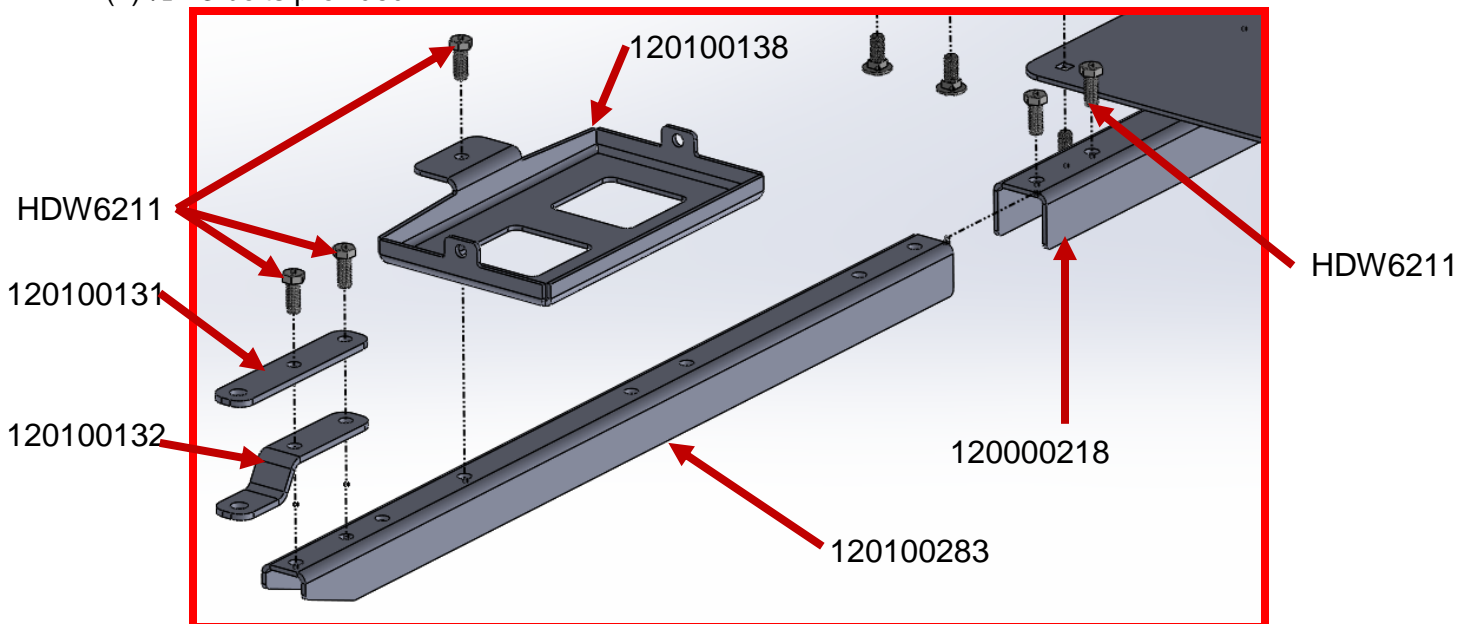
T-CART ASSEMBLY INSTRUCTIONS

MEC P/N – 12000253

CAUTION: ANY MEC CLAY TARGET MACHINE MUST BE IN THE DISARMED STATE WITH THE BATTERY DISCONNECTED PRIOR TO MAKING ANY ADJUSTMENTS, LOADING THE CLAY TARGETS OR TRANSPORTATION OF MACHINE.

NO.	Description	QTY.	P/N
1	T-CART SUBWELD	1	120000218
2	L.H. AXLE	1	120000219
3	R.H. AXLE	1	120000220
4	FLAT HITCH PLATE	1	120100131
5	BENT HITCH PLATE	1	120100132
6	BATTERY TRAY	1	120100138
7	TONGUE TUBE	1	120100283
8	RUN FLAT TIRES	2	120500062
9	3/8" FLAT WASHER	2	HDW2028
10	1/2"-13 FLANGE NUT	6	HDW2034
11	3/8" - 16 X 1.00" HEX BOLT	2	HDW5004N
12	1/2"-13 X 1.25 HEX BOLT	5	HDW6211
13	1/2" - 13 X 1.25" CARRIAGE BOLT	6	HDW9308

Step 1 – Slide the tongue tube into the tongue on the weldment as shown below. Secure using (2) 1/2-13 bolts provided.

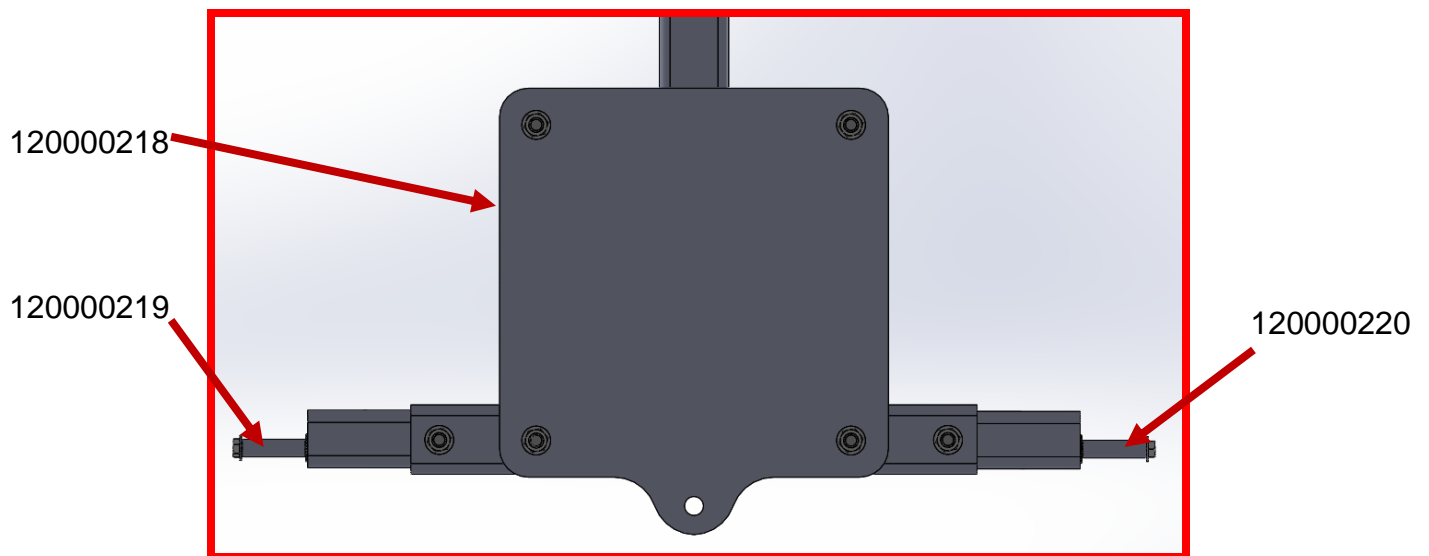
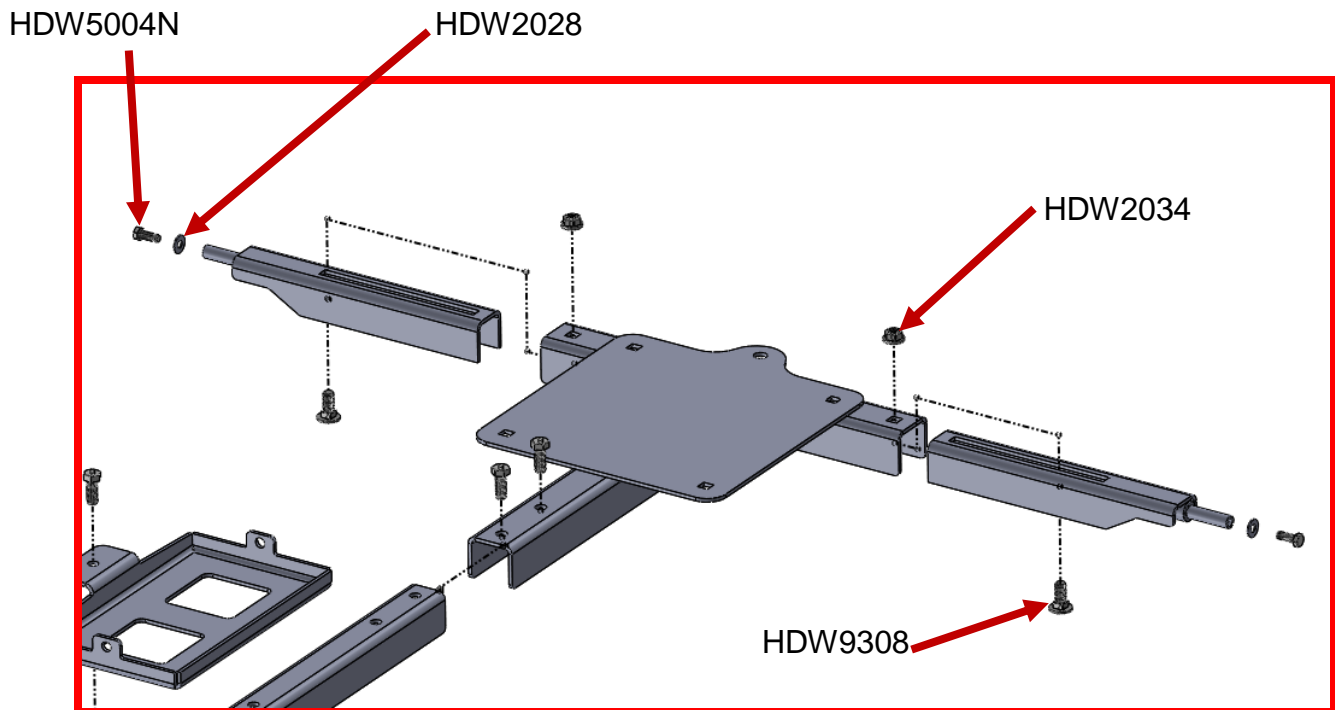




CLAY TARGET MACHINES

Step 2 – Next, apply the hitch plate, the bent hitch plate and the battery tray to the tongue tube using (3) ½"-13 bolts provided. Tighten Securely.

Step 3 – Now you can slide the axle tubes into the axle carrier on the weldment. Make sure that the axle is to the back of the machine as shown below.



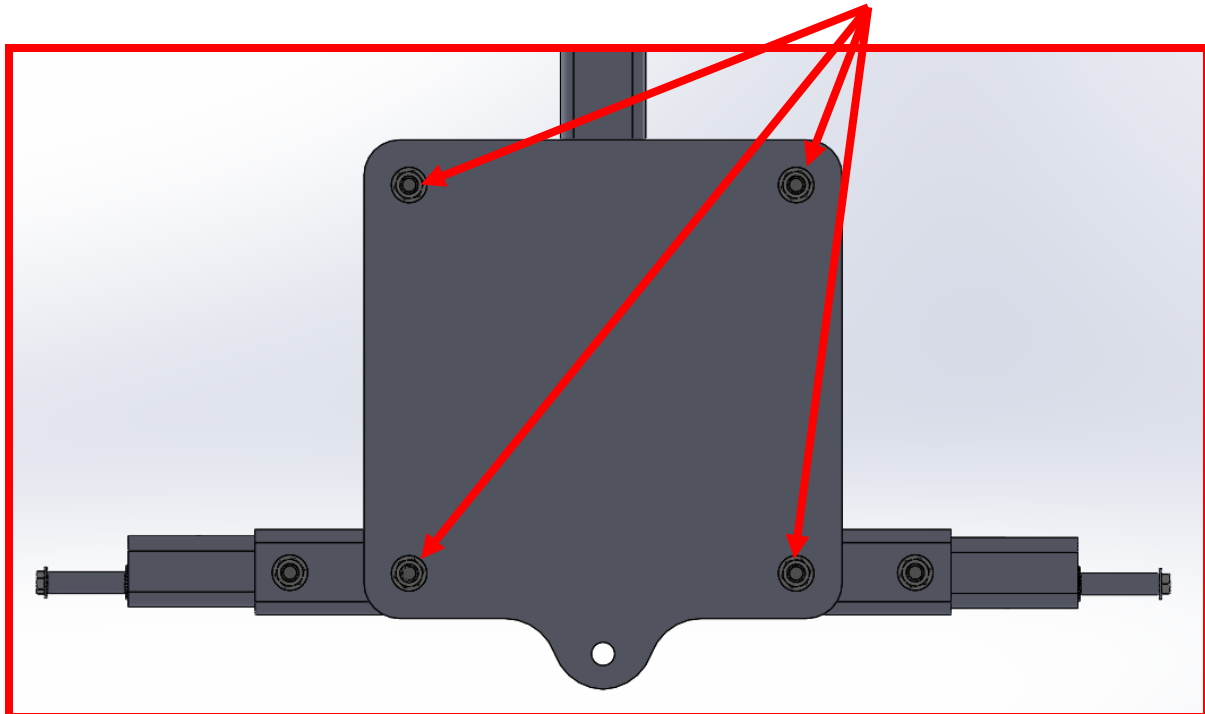


CLAY TARGET MACHINES

Step 4 – Lastly, slide on the tires and secure using the 3/8” bolt and washer provided. Tighten Securely.

Step 5 – Make sure that the cart is stable and then slide your machine onto the cart and secure the machine by using the (4) carriage bolts and (4) flange nuts provided. Tighten Securely.

**TIGHTEN THE MACHINE TO
THE CART USING THESE 4
BOLTS AND NUTS**





CLAY TARGET MACHINES



For any questions regarding setup or use of any MEC Clay Target Machines, please give us a call or you can visit us on our website for video footage showing how setup and adjustments are made.

For a complete listing of spare parts for MEC and other brands of machines, and for pricing, be sure to check out our website.

MEC Clay Target Machines
800 Horicon Street, Suite 1
Mayville, WI 53050 USA
920-387-4500
1-800-676-0365
www.mecshootingports.com