



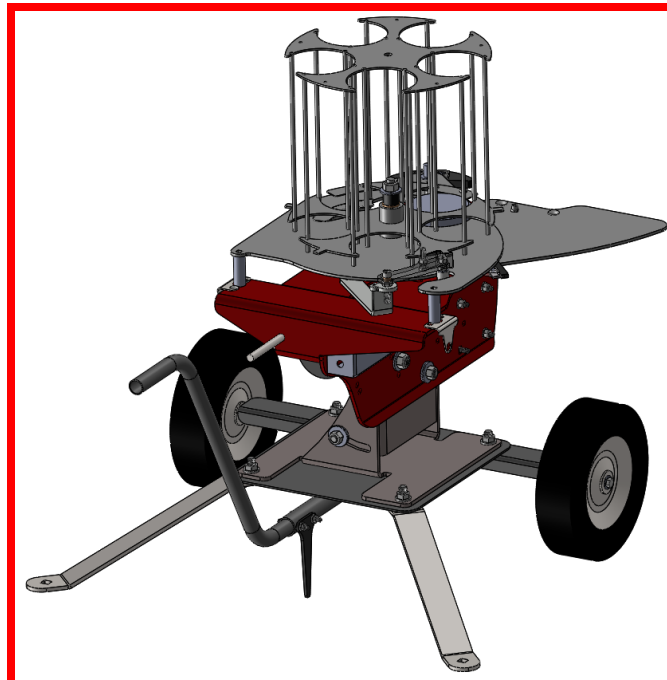
CLAY TARGET MACHINES

100E T-CART ASSEMBLY INSTRUCTIONS

MEC P/N – 120000299, 120000372

CAUTION: ANY MEC CLAY TARGET MACHINE MUST BE IN THE DISARMED STATE WITH THE BATTERY DISCONNECTED PRIOR TO MAKING ANY ADJUSTMENTS, LOADING THE CLAY TARGETS OR TRANSPORTATION OF MACHINE.

NO.	Description	QTY.	P/N
1	T-CART PLATE WELDMENT	1	120000287
2	AXLE WELDMENT	1	120000300
3	CART STAKE/KICKSTAND	1	120100381
4	OUT RIGGERS	2	120100394
5	HANDLE	1	120200121
6	WHEELS	2	120500037
7	RUBBER GRIP	1	120500139
8	1/4"-20 FLANGE LOCK NUT	2	HDW2004
9	3/8" FLAT WASHER	2	HDW2028
10	1/2"-13 FLANGE NUT	5	HDW2034
11	3/8" - 16 X 1.00" HEX BOLT	2	HDW5004N
12	1/4" - 20 X 2.00" HEX BOLT	2	HDW2082
13	1/2" - 13 X 1.25" CARRIAGE BOLT	5	HDW9308
14	3/8" FLAT WASHER	2	HDW4506163P34

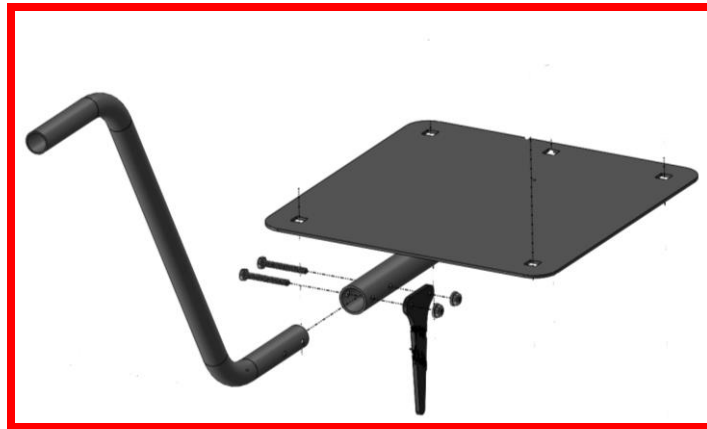




CLAY TARGET MACHINES

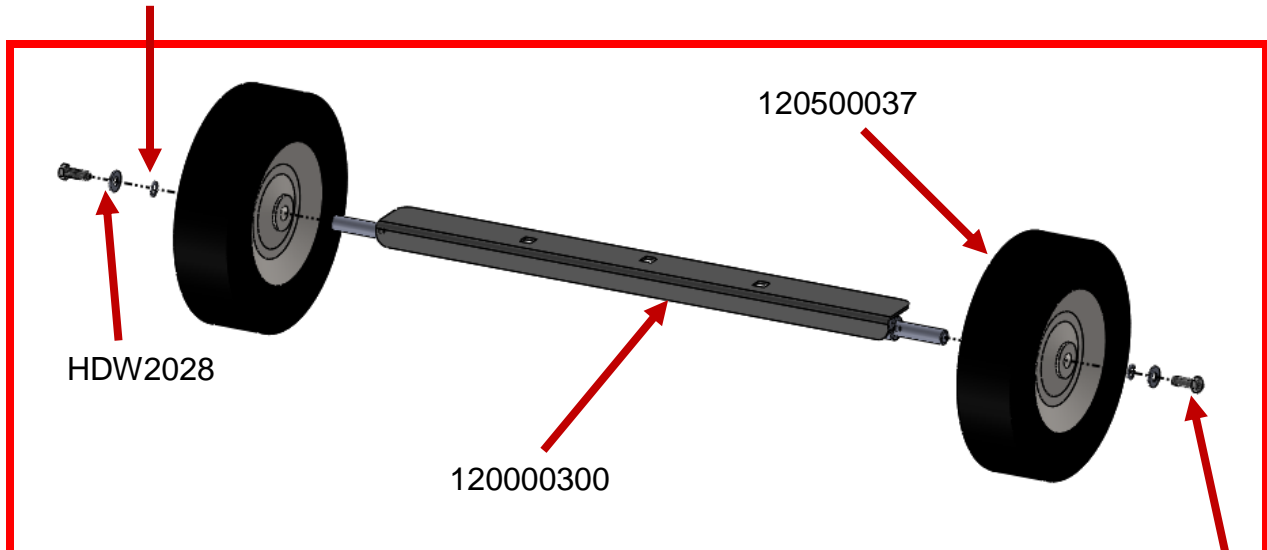
Step 1 – Slide the rubber grip onto the handle, making sure that the finger relief design is on the bottom.

Step 2 – Slide the handle into the plate weldment. Attach using the HDW2082 bolts. Slide on the cart stake and secure using the HDW2004 flange lock nuts.



Step 3 – Attach the wheels to the axle weldment using the HDW4506163P34 (2X), HDW5004N (2X), and the HDW2028 (2X).

HDW4506163P34

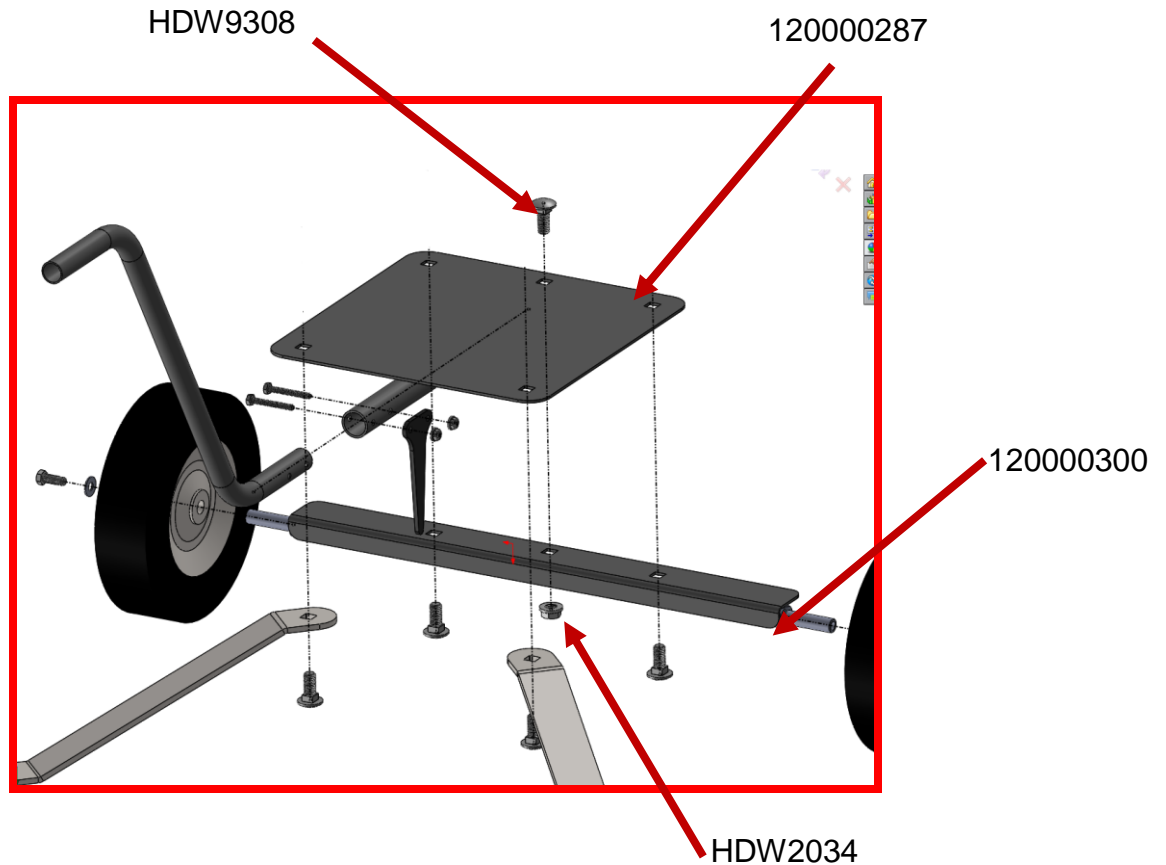


HDW5004N



CLAY TARGET MACHINES

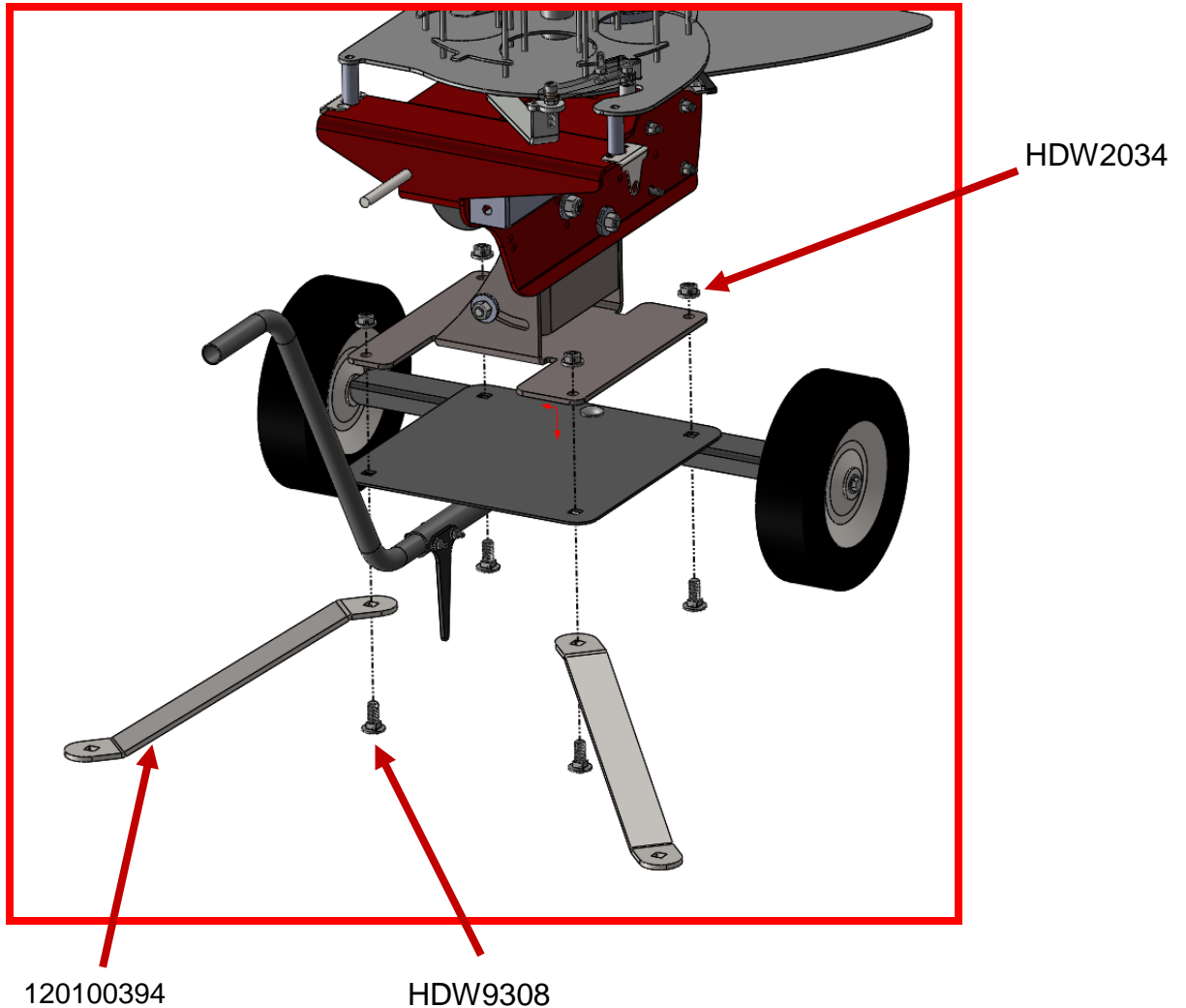
Step 4 – Attach the plate weldment to the axle weldment using the HDW9308 carriage bolt and the HDW2034 flange lock nut.



Step 5 – Next, slide your 100E onto the cart and attach the outriggers to the bottom of the plate weldment as shown. Secure using the HDW9308 carriage bolt and the HDW2034 flange nut.



CLAY TARGET MACHINES



For any questions regarding setup or use of any MEC Clay Target Machines, please give us a call or you can visit us on our website for video footage showing how setup and adjustments are made.

For a complete listing of spare parts for MEC and other brands of machines, and for pricing, be sure to check out our website.

MEC Clay Target Machines
800 Horicon Street, Suite 1
Mayville, WI 53050 USA
920-387-4500
1-800-676-0365
www.mecshootingsports.com