



CLAY TARGET MACHINES

OWNERS MANUAL FOR MEC 500E SKEET





CLAY TARGET MACHINES

PLEASE READ AND FULLY UNDERSTAND THE INSTRUCTIONS PRIOR TO SETTING OR TUNING THE MACHINE.

CAUTION: ANY MEC CLAY TARGET MACHINE MUST BE IN THE DISARMED STATE WITH THE BATTERY DISCONNECTED PRIOR TO MAKING ANY ADJUSTMENTS, LOADING THE CLAY TARGETS OR TRANSPORTATION OF MACHINE.

Step 1 – Securely set the machine in the trap house. See below for the correct way to install the MEC machine into the trap house. **IF NOT FASTENED SECURELY, SERIOUS INJURY AND/OR DAMAGE TO MACHINE CAN OCCUR!!!**

DO NOT CONNECT THE POWER. Ensure that the machine is in the **DISARMED/SAFE** position.

Step 2 – In most cases, your machine has been supplied to you ready to fire. If so, please proceed to Step 3. If your machine is supplied in a box without its carousel (shown below) fitted, you will need to attach it to the machine. Simply slide the carousel weldment onto the top plate shaft. If no grease is present, please add a little bit to the shaft. You may have to spin/rotate the carousel counter clockwise for it to slide on. Next, place the white plastic collar over the boss. Then slide the spring over the boss. Next, slide the washer over the shaft and tighten the nut so that the washer bottoms out. The nut is a left-hand thread, so tighten in a counter clockwise motion. This will prevent the nut from loosening during operation.





CLAY TARGET MACHINES

Step 3 – Check the height / clearance of the knife-edges by placing a clay in the carousel. Rotate the carousel so that the clay starts to pass underneath the inner and outer knife separator blades. The clay must pass freely under the knife separator blades without binding but with the minimum of clearance. Adjust if necessary with 7/16" open ended wrench. You are looking for a gap about the thickness of a business card, between the horizontal shoulder of the clay and the underside of the knife edges. Photos below show adjustment with carousel fitted, but you can remove the carousel to make adjustment easier if preferred.



**** ALL MEC MACHINES ARE SET UP USING THE WHITE FLYER STANDARD TARGETS. ADJUSTMENTS NEED TO BE MADE WHEN USING OTHER BRANDS OR STYLES OF TARGETS****



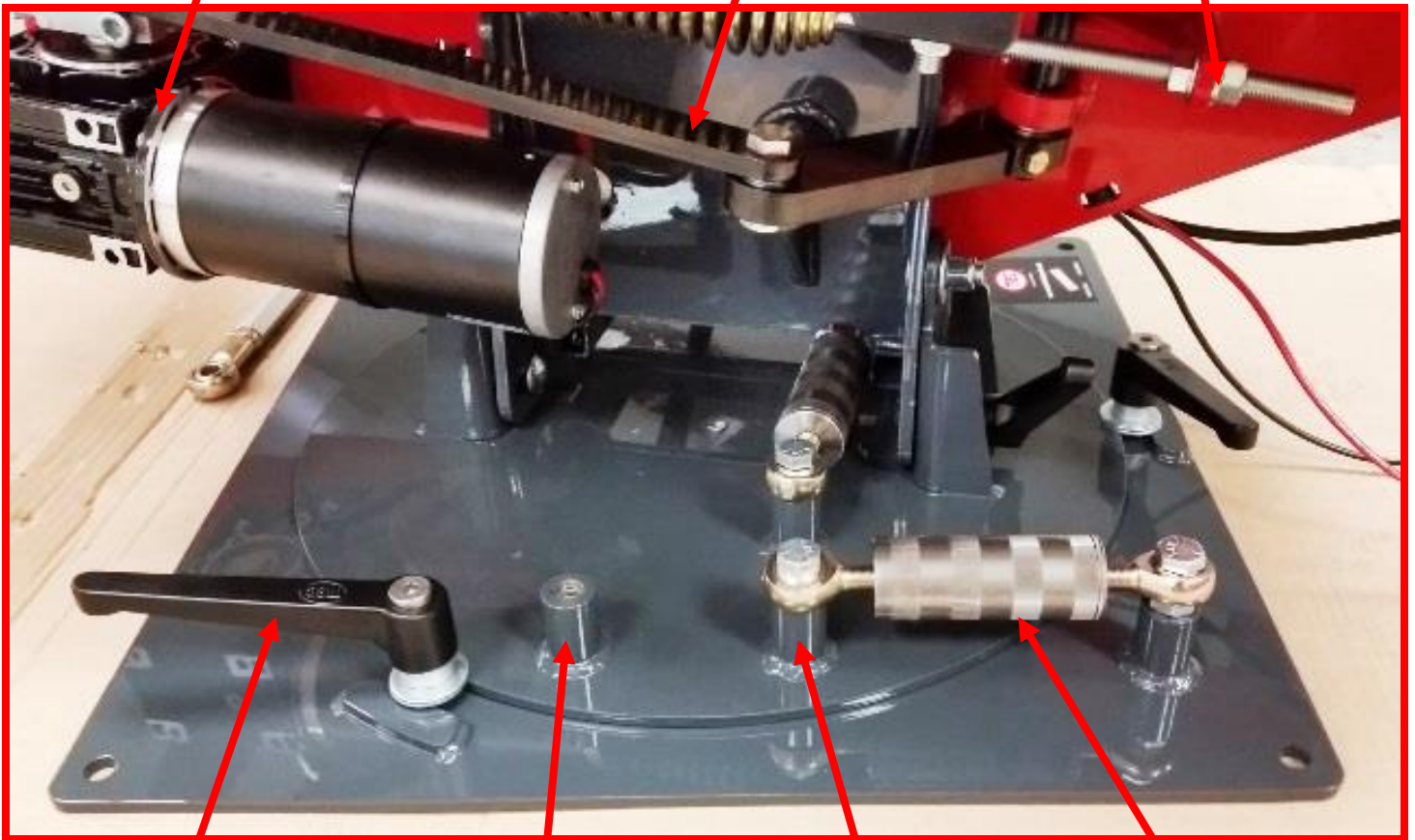
CLAY TARGET MACHINES

UNDERSTANDING YOUR MACHINE

MOTOR
GEARBOX

CRANK
ASSEMBLY

SPRING TENSION
ADJUSTMENT



HANDLE/LEVER

HIGH HOUSE
SETTING

LOW HOUSE
SETTING

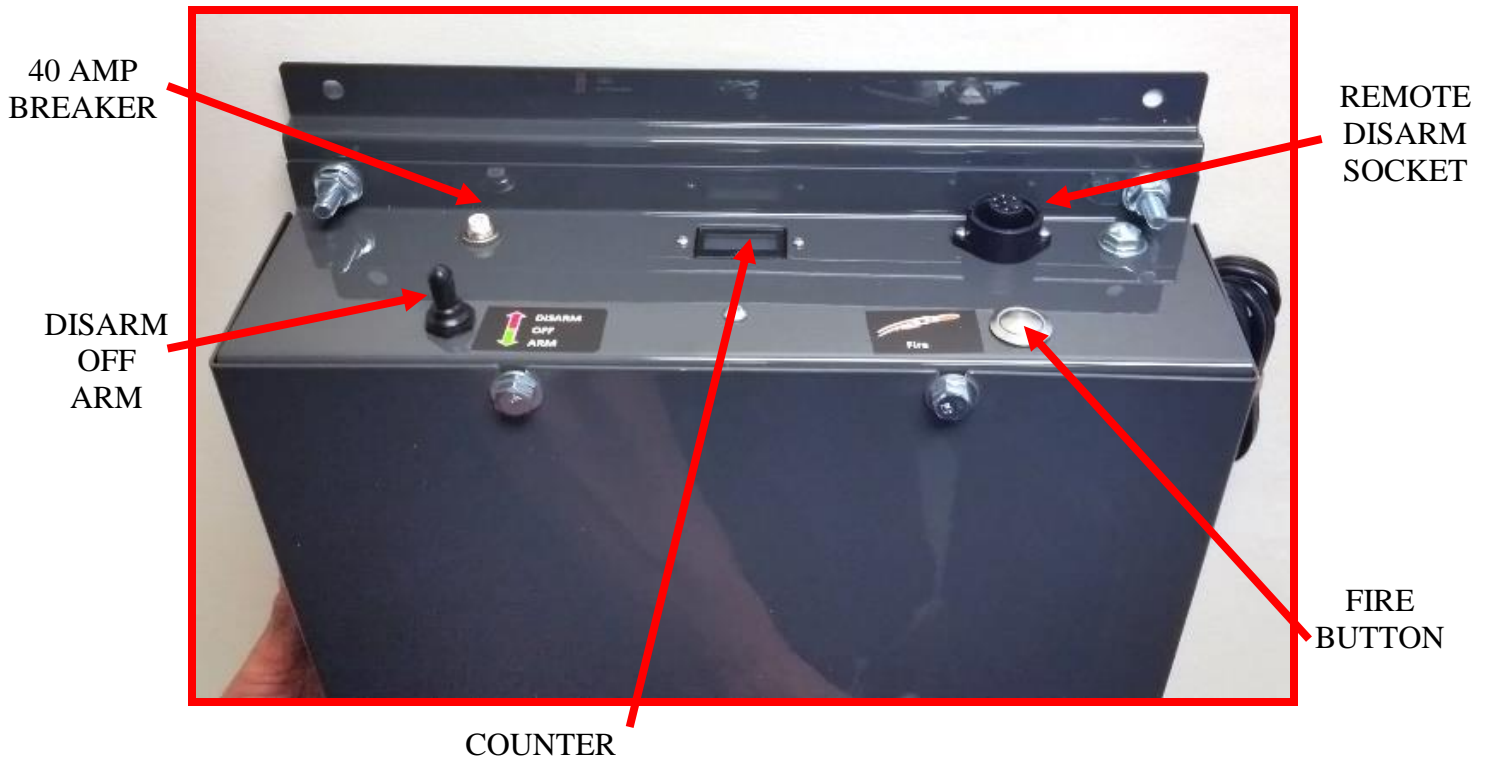
TURNBUCKLE

UNDERSTANDING THE CONTROL BOX



CLAY TARGET MACHINES

This control box is designed to be attached to the wall of the house.



Remote Disarm Socket – The machine is **NOT** supplied with a remote disarm box assembly (MEC P/N – 120000203) and 10ft. of cable. This unit plugs into the remote disarm socket on the control box, allowing the remote disarm box assembly to be placed by the opening of the trap house. The user can now disarm the machine before entering the trap house.

Fire Button – The fire button allows you to test fire the machine from inside the trap house.

Disarm/Off/Arm – Pushing the switch downward to the arm state will arm the machine. Pushing the switch upward will cause the machine to fire (if in armed state) and disarm when the switch is released. Note – holding the disarm toggle will continually fire clay targets. Please use caution!

Breakers –The breaker is for the cocking motor. If the breaker trips, it needs to be pushed back in to reset.



CLAY TARGET MACHINES

Counter – Records the number of targets thrown by the machine and is not resettable.

Step 4 – Check that the ARM/OFF/DISARM switch on the electrical box is in the **OFF** position.

Step 5 – Visually check, from the rear of the machine, that the motion of the Throwing Arm is not restricted or blocked in any way.

CAUTION: ALWAYS OPERATE THE MACHINE FROM BEHIND, NEVER FROM THE FRONT OR THE SIDES OF THE MACHINE. KEEP HANDS AND BODY PARTS AWAY FROM THE MACHINE WHEN ARMING, RELEASING AND DISARMING.

Step 6 – Standing at arm's length behind the machine and making sure that all body parts are clear of the machine, push the ARM/OFF/DISARM toggle switch into the DISARM position and then release it as soon as the throwing arm fires. The toggle switch is spring loaded and will return to the off position as soon as the switch is released, stopping the machine from re-arming itself. If done correctly the arm will be pointing away from the left side of the machine when viewed from behind.

Disconnect the power supply to ensure that the machine is not accidentally armed while adjusting and loading the machine.

Step 7 – Place a couple of clays in each of the carousel columns, for the purpose of testing the clay flight and trajectory.



CLAY TARGET MACHINES

ADJUSTING THE ELEVATION OF THE MACHINE

Step 8 – Adjust the machine elevation by loosening the black handle side of the machine as shown below. Extending or retracting the turnbuckle will either tilt the machine upwards or downwards to the desired angle. **Once the correct angle is achieved, RETIGHTEN the black handle.**



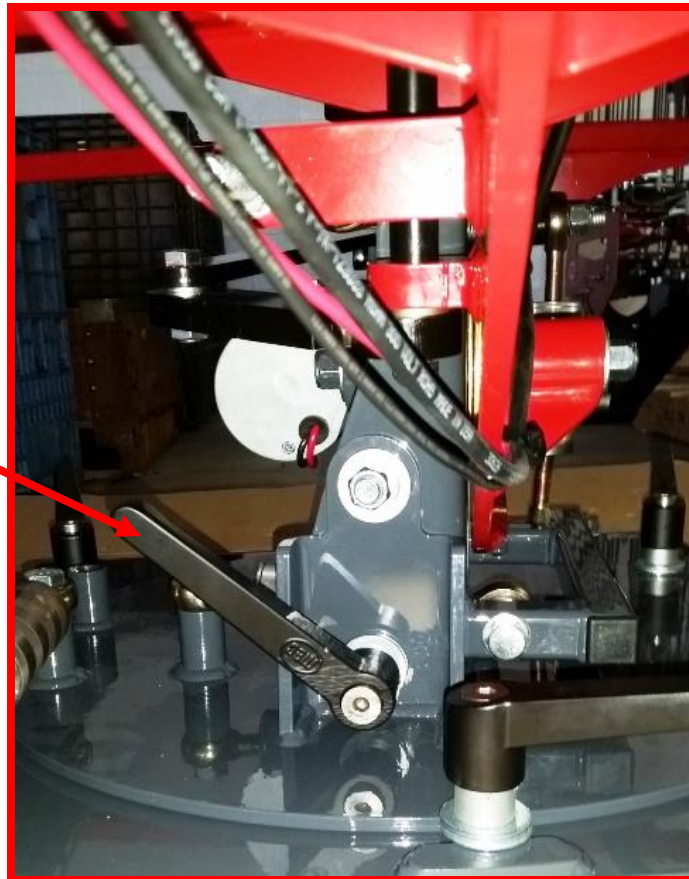


CLAY TARGET MACHINES

ADJUSTING THE TILT/ANGLE OF THE MACHINE

Step 9 – Adjust the machines tilt by loosening the black handle on the rear of the machine (Photo #1) Tilt the machine to the desired angle by adjusting the turnbuckle. (Photo #2) **NOTE: IF THE ADJUSTMENT FEELS DIFFICULT, YOU MAY NEED TO LOOSEN THE 3 - 3/4" BOLTS TO ALLOW THE MACHINE TO TILT FREELY.** Adding tilt allows the machine to throw a flat target with no curl. Once the correct tilt has been achieved, **RETIGHTEN THE HANDLE AND ALL 3 - 3/4" NUTS TO KEEP THE MACHINE FROM SHIFTING OVER TIME. BE SURE TO TURN THE HANDLE DOWN TO THE RIGHT SO IT IS JUST OFF OF THE BASE PLATE. THIS WILL HELP TO ELIMINATE PINCH POINTS OR POSSIBLE INTERFERENCES.**

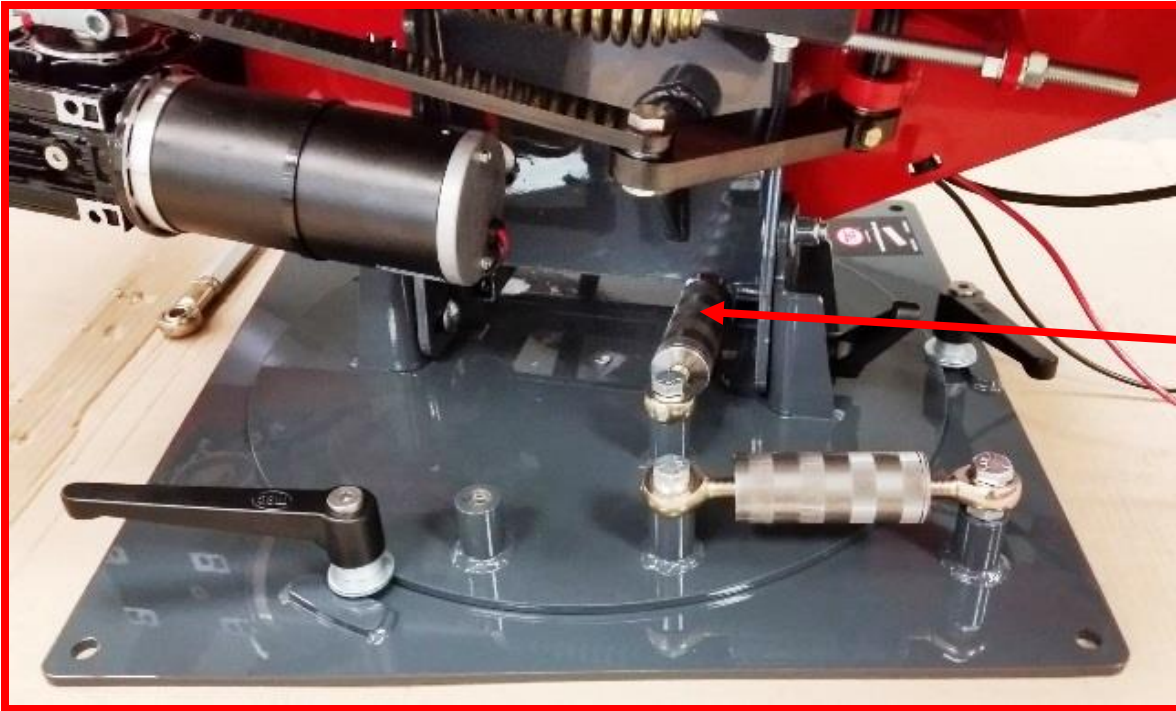
LOOSEN
THIS
HANDLE



1.



CLAY TARGET MACHINES



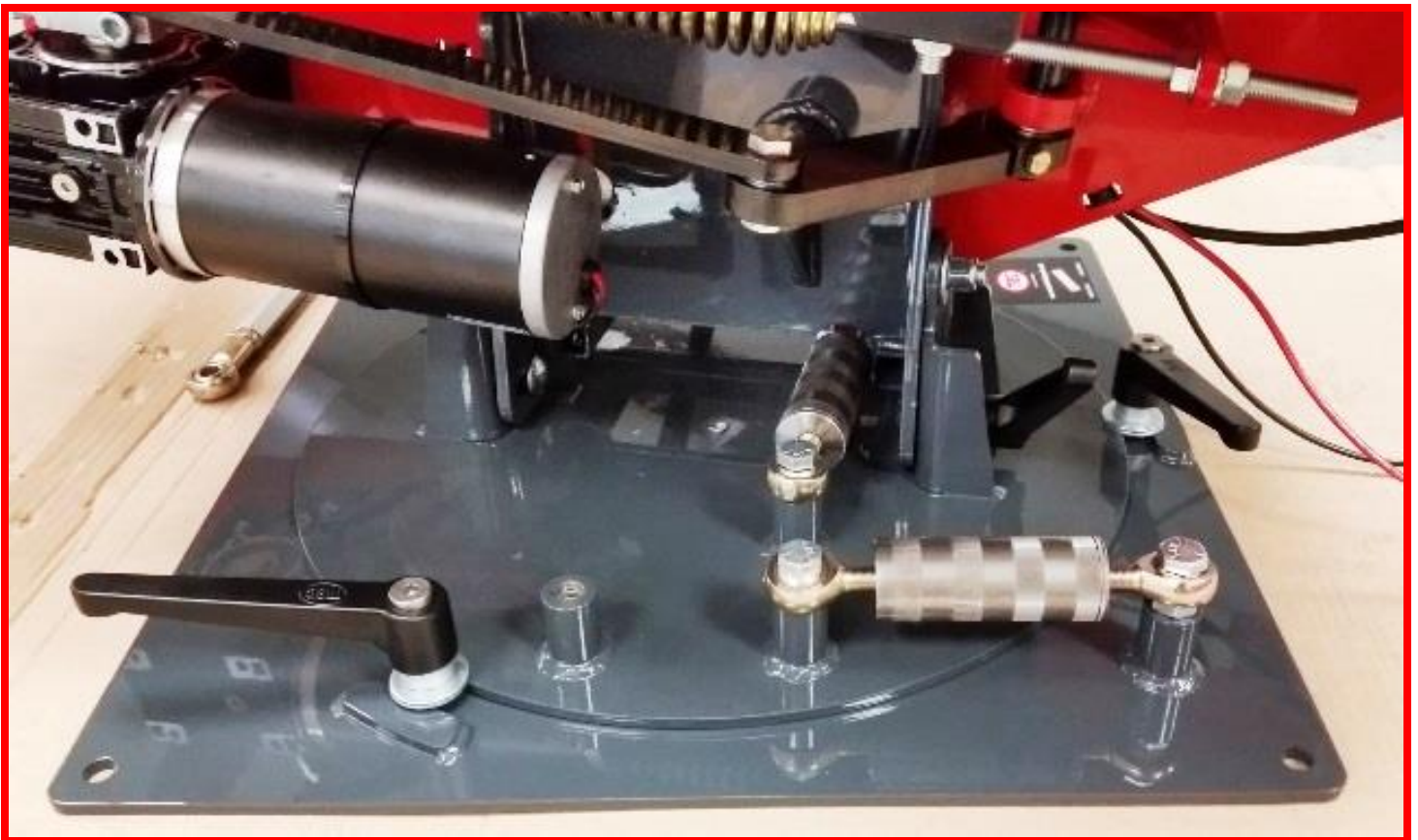
TURN THIS
TURN-
BUCKLE
FOR THE
CORRECT
TILT

2.



CLAY TARGET MACHINES

ROTATING THE MACHINE



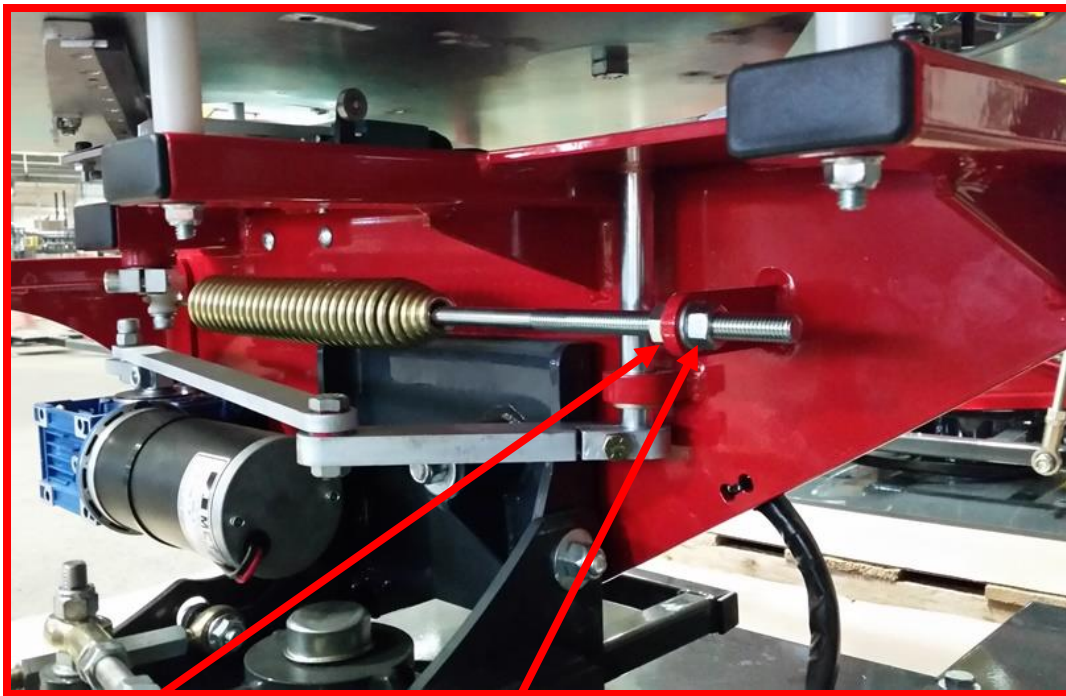
Step 10 – Loosen the 3 black handles on the base of the machine. Then either extend or retract the turnbuckle to allow the machine to rotate in the direction needed. Once the machine is throwing precisely, tighten down all three handles.



CLAY TARGET MACHINES

ADJUSTING THE DISTANCE THE CLAY WILL FLY/ SPEED CONTROL

Step 11 – You can adjust the distance that the clay is thrown by extending or retracting the spring. This is achieved by winding tension on or off the main spring using a $\frac{3}{4}$ " wrench or the optional $\frac{3}{4}$ " extended socket which can be attached to an impact drive. This should be done with the machine in the disarmed/safe condition for small adjustments. **AFTER ADJUSTING THE MAIN SPRING FOR THE CORRECT THROWING DISTANCE, THE NUTS ON THE SPRING STUD MUST BE TIGHTENED SECURELY AGAINST EACH OTHER.**



1. LOOSEN NUT

2. TIGHTEN OR LOOSEN NUT
TO DESIRED SPRING TENSION

**3. RETIGHTEN BOTH
NUTS SECURELY
WHEN DONE!!!**

Step 12 – The pull cord or optional radio release can now be connected to the machine.



CLAY TARGET MACHINES

Step 13 – Now that the machine is set to the correct SKEET settings, carefully, fully load the carousel with clays, removing any clays that show signs of damage. Load clays as evenly as possible and do not over load.

Step 14 – The machine is now ready for use, continue by switching the toggle to “ARM” (this will allow you to fire from a pull cord or radio release.)

Step 15 – Press the fire button on the pull cord or radio release. This will cause the machine to fire a clay target and then reset to the firing position. Pressing the fire button again will do the same as above. Pressing and holding the fire button will continuously fire clays continuously

Your machine is now operating smoothly and ready for use. **IT IS CRITICAL THAT YOU NEVER LOAD OR MAKE ADJUSTMENT TO THE MACHINE UNLESS IT IS DISARMED AND THE POWER IS DISCONNECTED.** While in storage, the machine must be left in the disarmed state and the power/battery disconnected. Any spring tension does not need to be released.

Thanks for choosing MEC! Every machine is hand set and tested prior to leaving our shop to ensure quality. We take pride in our products, so you can have a better experience in the field. Your patronage is very much appreciated!

For any questions regarding setup or use of any MEC Clay Target Machines, please call our toll-free number listed below, or visit us on the web to watch our setup and demonstration videos.

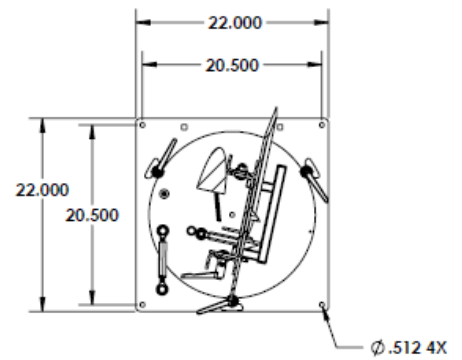
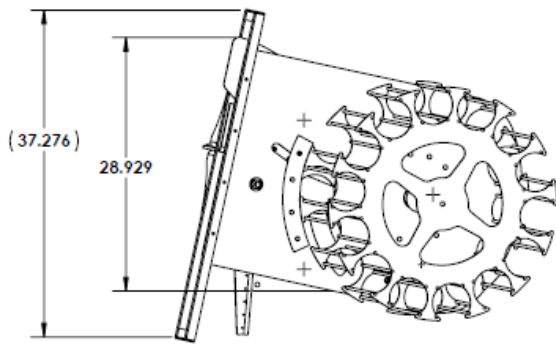
MEC Shooting Sports
800 Horicon Street, Suite 1
Mayville, WI 53050 USA
920-387-6005
1-800-797-4632
www.mecshootingsports.com

To receive our monthly newsletter, go to our website, select the “Shooting Sports Lifestyle” tab and click “Join Us”.

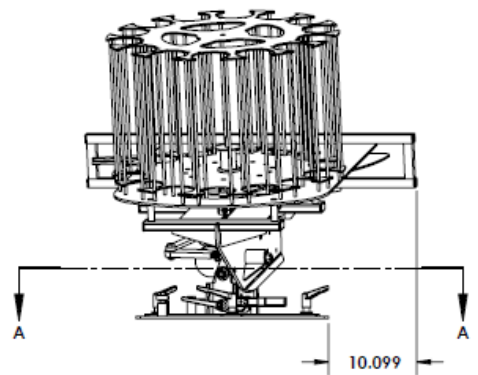
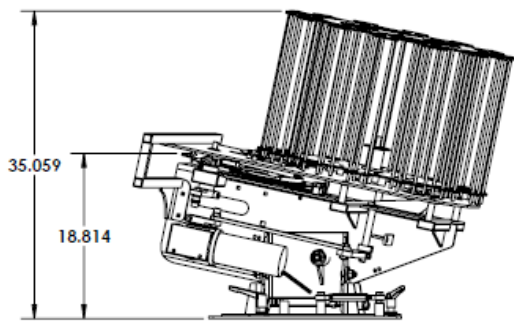
Follow us on Facebook, Twitter, and Linked In @ MEC Shooting Sports, and on Instagram @Mecshootingsports.official to see the latest news from MEC.



CLAY TARGET MACHINES

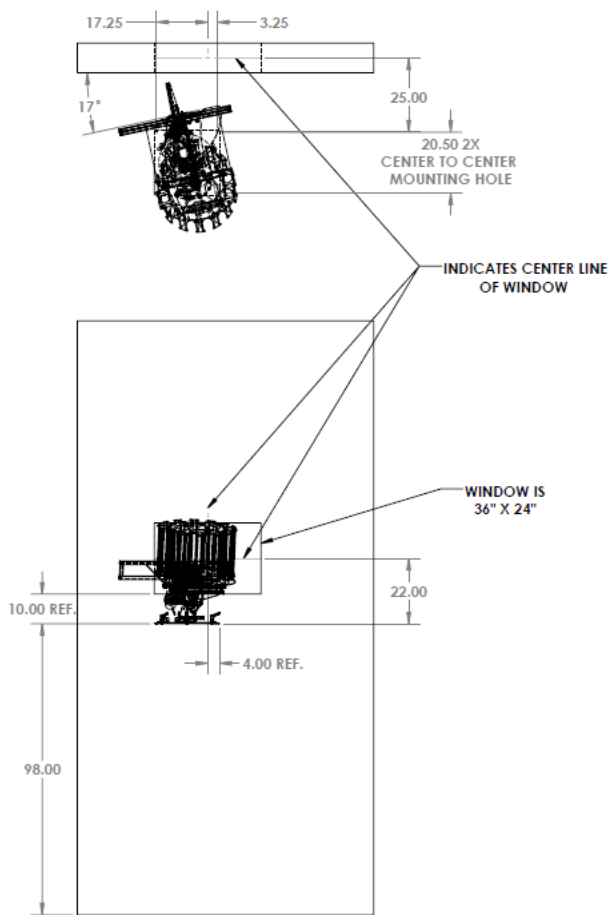


SECTION A-A
SCALE 1 : 12

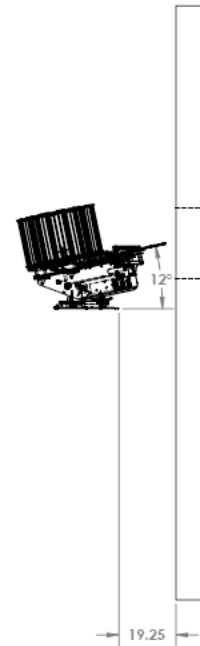




CLAY TARGET MACHINES



500E SKEET HIGH HOUSE





CLAY TARGET MACHINES



500E SKEET LOW HOUSE

