



OUTDOORS

SOLAR PANEL SLIDE ASSEMBLY INSTRUCTIONS

MEC P/N – 120000532

CAUTION: ANY MEC CLAY TARGET MACHINE MUST BE IN THE DISARMED POSITION WITH THE BATTERY DISCONNECTED PRIOR TO MAKING ANY ADJUSTMENTS, LOADING THE CLAY TARGETS, OR TRANSPORTATION OF MACHINE.

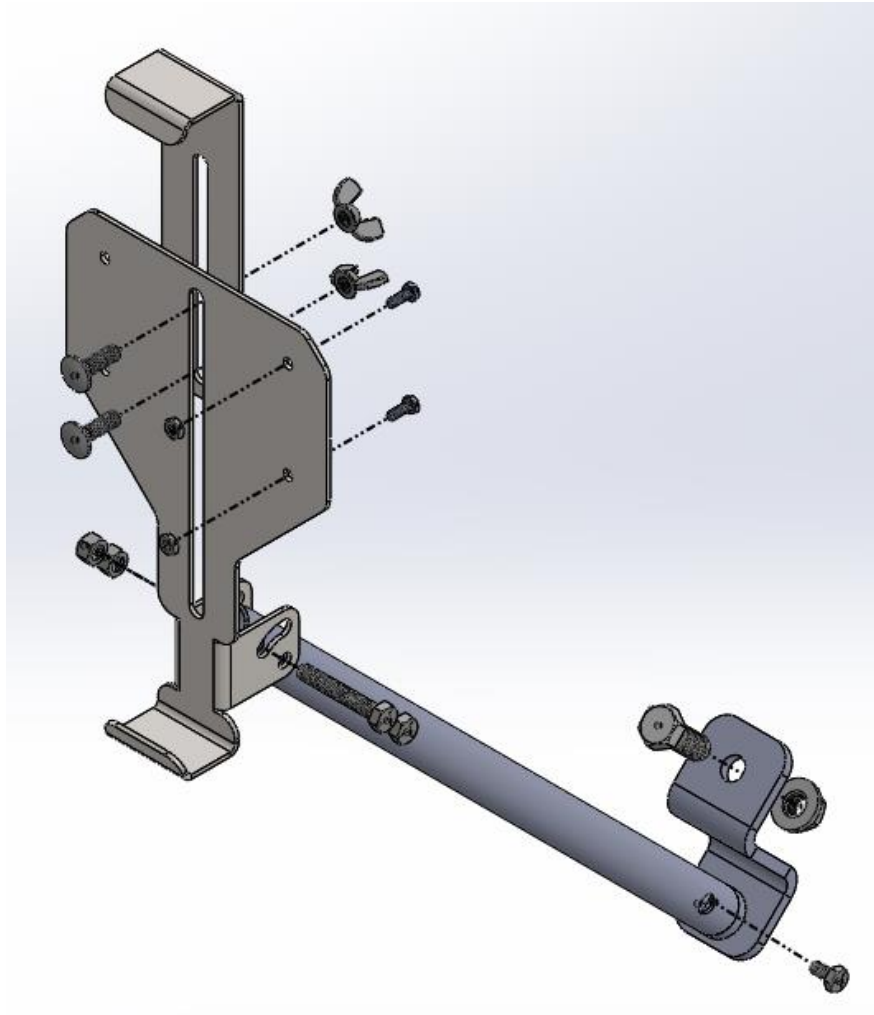
ITEM #	PART #	DESCRIPTION	QTY
1	120000212	SOLAR MOUNT WELDMENT	1
2	120000213	SOLAR MOUNT TUBE WELDMENT	1
3	120100512	SOLAR PANEL ADJUSTABLE MOUNT	1
4	120100513	SOLAR PANEL SLIDE BRACKET	1
5	HDW2001	#10-32 HEX HEAD SCREW	4
6	HDW2020	5/16"-18 HEX FLANGE NUT	2
7	HDW2034	1/2"-13 HEX FLANGE NUT	1
8	HDW2046	5/16"-18 WING NUT	2
9	HDW2050	5/16"-18 X 1.00" CARRIAGE BOLT	2
10	HDW5633	1/4"-20 X .500" GRADE 5 BOLT	1
11	HDW6211	1/2"-13 X 1.25" HEX HEAD BOLT	1
12	HDW7543	#10-32 HEX NUT	4
13	HDW8303	5/16" X 2.00" HEX HEAD CAP SCREW	2

Step 1- Attach the solar panel adjustable mount and the solar panel bracket using the 5/16"-18 carriage bolts

Step 2- Next, attach the solar panel mount to the tube using 5/16" x 2" hex head cap screws, orientate at desired angle.

Step 3- Lastly, attach the assembly to the T-Cart using the 1/2" hex head bolt provided, fasten the 1/2" hex head bolt from the under side using the 1/2" hex flange nut.

Step 4- The #10-32 hardware provided is included for you to attach your receiver to the back of the solar panel.



For any questions regarding setup or use of any MEC Clay Target Machines, please give us a call or you can visit us on our website for video footage showing how setup and adjustments are made.

For a complete listing of spare parts for MEC and other brands of machines, and for pricing, be sure to check out our website.



CUSTOMER SERVICE

We're here and ready to help you! Don't forget to take advantage of our trouble shooting guide, website videos, and online owner's manuals, which are available 24/7. You may contact factory customer service at:

MEC Outdoors
800 Horicon Street, Suite 1
Mayville, WI 53050 USA

1-800-797-4632

ctmsales@mecoutdoors.com

MEC OUTDOORS

Website: www.mecoutdoors.com
Facebook: www.facebook.com/MECOutdoors/
Instagram: www.instagram.com/mecoutdoors.official/
Twitter: https://twitter.com/MEC_Outdoors
YouTube: www.youtube.com/mecoutdoors

Mayville Engineering Company (MEC) – Nations Largest Fabricator 8 Years Straight

Website: www.mecinc.com

Thanks for choosing MEC! Every machine is hand set and tested prior to leaving our shop to ensure quality. We take pride in our products, so you can have a better experience in the field. Your patronage is very much appreciated!

For any questions regarding setup or use of any MEC Clay Target Machines, please give us a call or you can visit us on our website for video footage showing how setup and adjustments are made.

To receive our monthly newsletter, go to our website, select the "Shooting Sports Lifestyle" tab and click "Join Us".