



OUTDOORS

T-CART ASSEMBLY INSTRUCTIONS

MEC P/N – 120000294, 120000295 (Group 24 battery)
120000447, 120000448 (Group 27 battery)

CAUTION: ANY MEC CLAY TARGET MACHINE MUST BE IN THE DISARMED STATE WITH THE BATTERY DISCONNECTED PRIOR TO MAKING ANY ADJUSTMENTS, LOADING THE CLAY TARGETS OR TRANSPORTATION OF MACHINE.

NO.	Description	QTY.	P/N
1	T-Cart Sub-Weld	1	120000293
2	Left Handed Axle	1	120000219
3	Right Handed Axle	1	120000220
4	Flat Hitch Plate	1	120100131
5	Bent Hitch Plate	1	120100132
6	Battery Tray	1	120000504/ 120100642
7	Tongue Tube	1	120100344
8	Run Flat Tires	2	120500062
9	3/8" Flat Washer	2	HDW2028
10	1/2"-13 Flange Nut	8	HDW2034
11	5/16" - 18 Hex Flange Nut	2	HDW2047
12	5/16" – 18 x 1.00" Carriage Bolt	2	HDW2050
13	3-8" – 16 X 1.00" Hex Nut	2	HDW5004N
14	1/2" – 13 X 1.25" Hex Bolt	4	HDW6211
15	1/2" – 13 X 1.25 Carriage Bolt	6	HDW9308

Step 1 – Slide the tongue tube (120000344) into the tongue on t-cart weldment (120000293). See image 1 on page 2 for illustration. Secure using 2-HDW6211 bolts and 2-HDW2034 flange nuts provided.

Step 2 – Next, apply hitch plate (120100131) and bent hitch plate (120100132) to the tongue tube (120100344) using 2-HDW6211 and 2-HDW2034. Next, apply battery tray (120000504/120000642) to the tongue tube using 2-HDW2050 and 2-HDW2047. See Image 1 on page 2 for illustration.

Step 3 – Slide the axle tubes (120000219 & 120000220) into the t-cart sub-weld (120000293) using 2-HDW9308 and 2-HDW2034. Make sure that the axle is to the rear of the cart as shown below. See image 2 on page 3 for illustration.

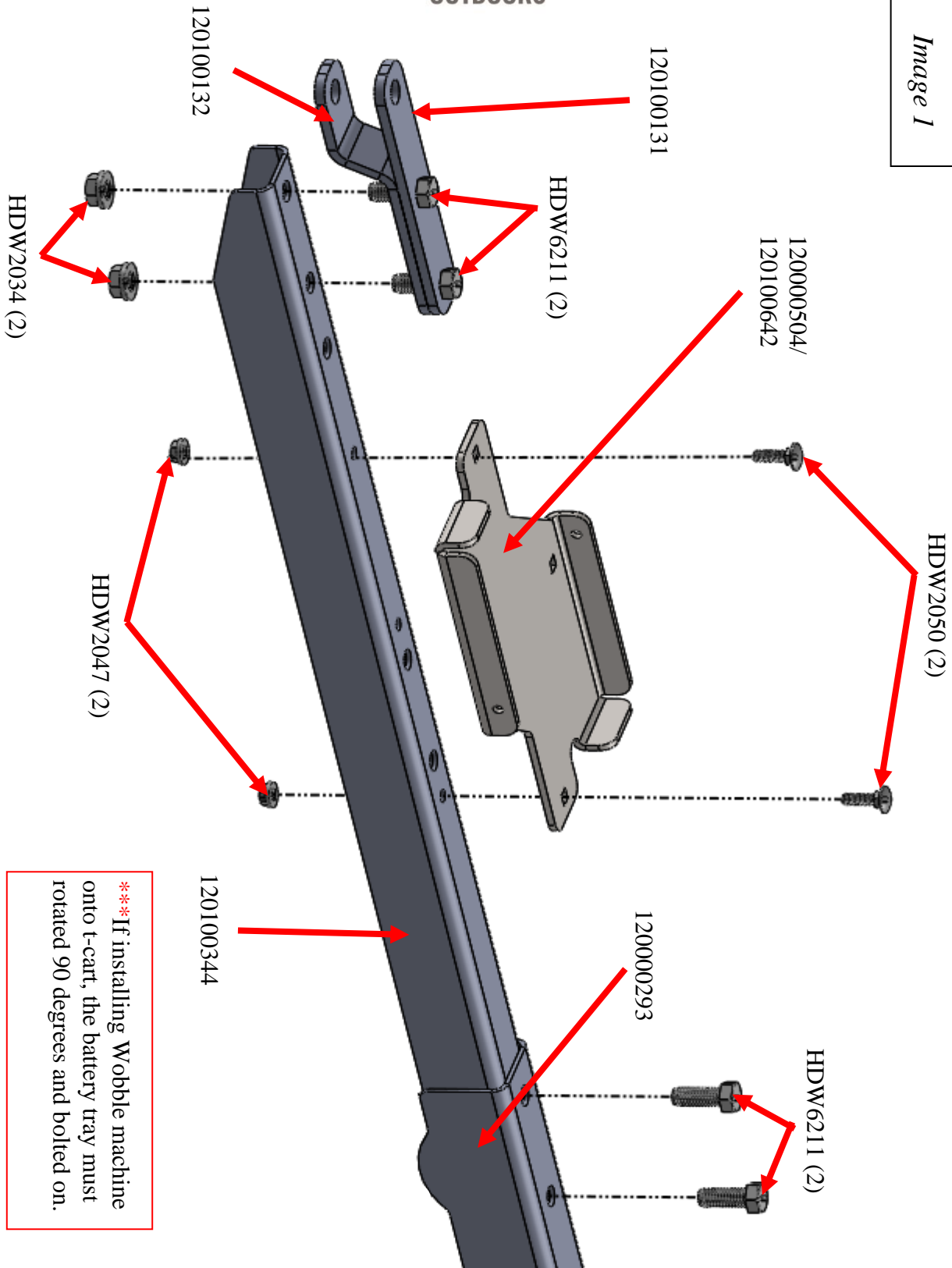
Step 4 – Install the run flat tires (120500062) and secure using 2-HDW5004N and 2-HDW2028.

Step 5 – Make sure that the cart is stable before bolting your machine onto the cart. Bolt the machine to the cart by using the 4-HDW9308 and 4-HDW2034. **Tighten Securely.**



OUTDOORS

Image 1

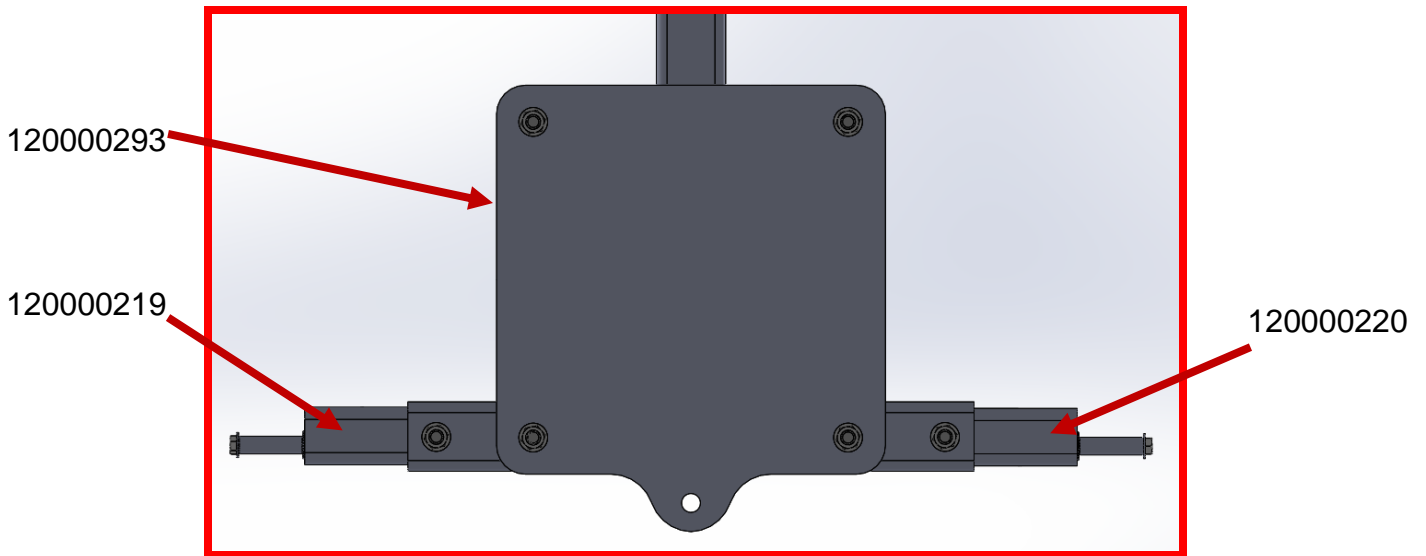
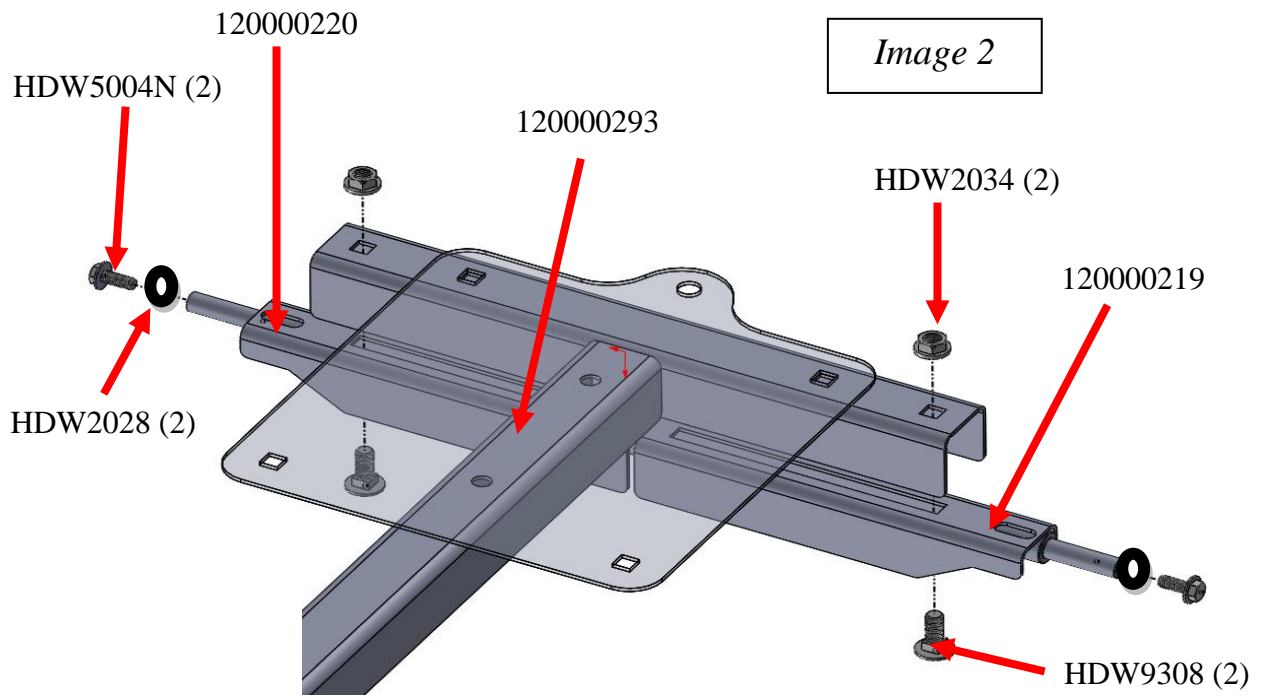


*****If installing Wobble machine onto t-cart, the battery tray must rotated 90 degrees and bolted on.**



OUTDOORS

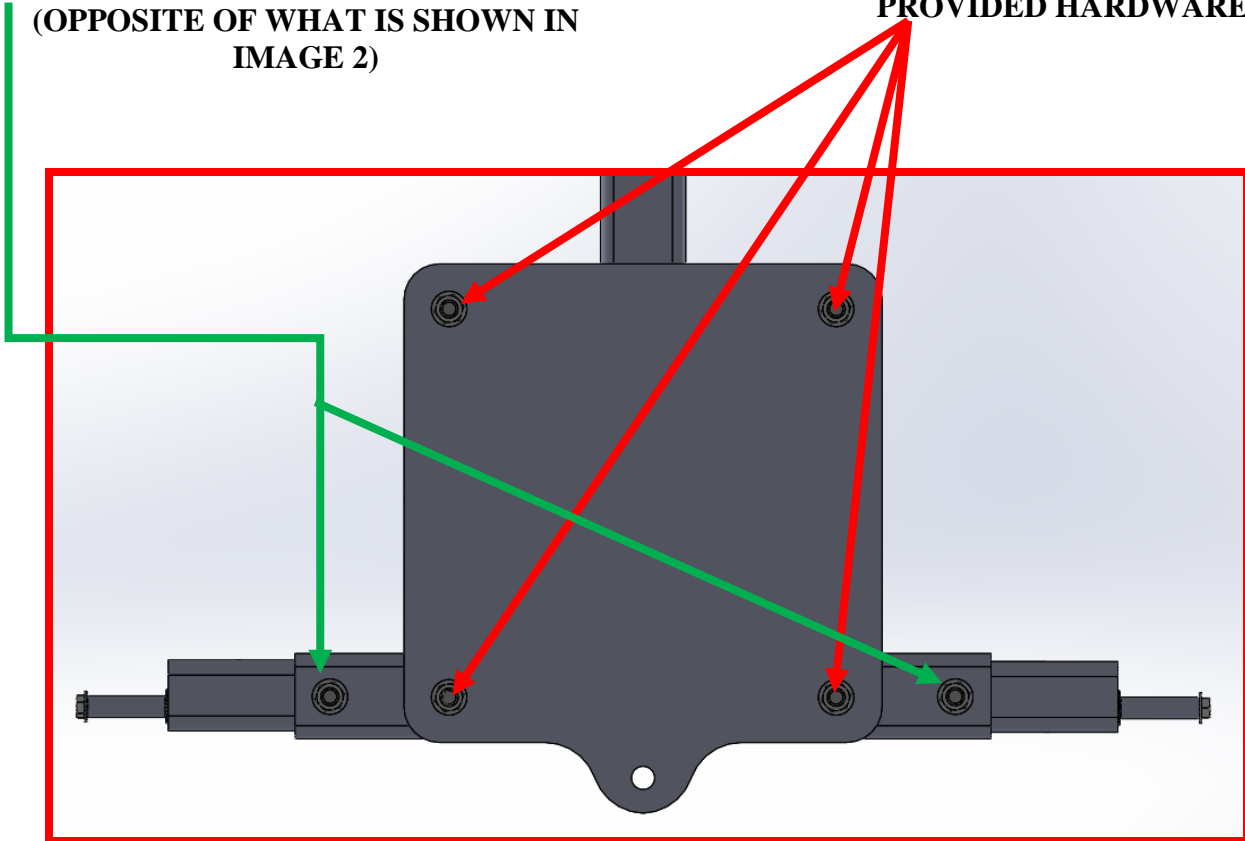
Image 2





**FOR WOBBLE MACHINES - THE
OUTSIDE CARRIAGE BOLTS MUST
BE PLACED SO THE THREADS ARE
FACING DOWN THRU THE AXLE.
(OPPOSITE OF WHAT IS SHOWN IN
IMAGE 2)**

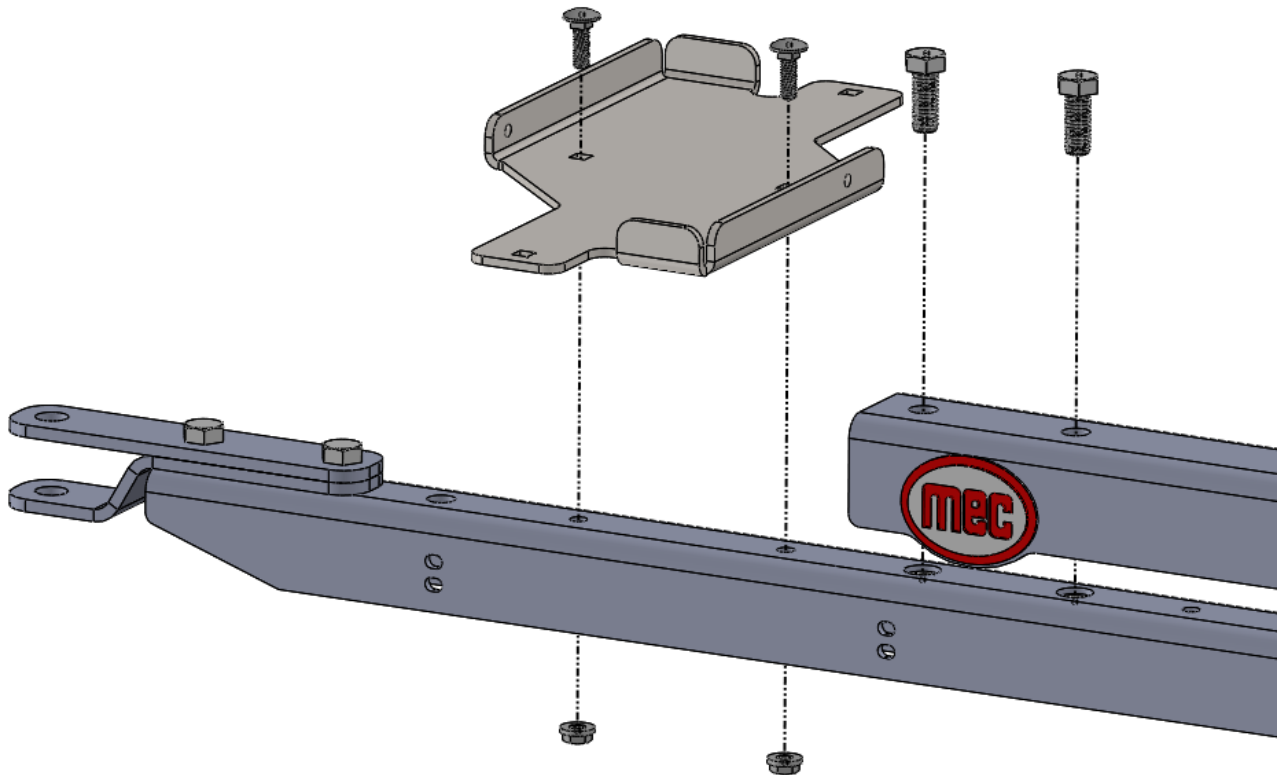
**TIGHTEN THE MACHINE TO
THE CART USING THE
PROVIDED HARDWARE**





OUTDOORS

BELOW IS AN IMAGE OF WHAT THE HITCH END OF THE T-CART WILL LOOK LIKE WHEN COLLAPSED. **THE BATTERY TRAY MUST BE ROTATED 180 DEGREES.**





CUSTOMER SERVICE

We're here and ready to help you! Don't forget to take advantage of our trouble shooting guide, website videos, and online owner's manuals, which are available 24/7. You may contact factory customer service at:

MEC Outdoors
800 Horicon Street, Suite 1
Mayville, WI 53050 USA

1-800-797-4632

ctmsales@mecoutdoors.com

MEC OUTDOORS

Website: www.mecoutdoors.com
Facebook: www.facebook.com/MECOutdoors/
Instagram: www.instagram.com/mecoutdoors.official/
Twitter: https://twitter.com/MEC_Outdoors
YouTube: www.youtube.com/mecoutdoors

Mayville Engineering Company (MEC) - Nations Largest Fabricator 8 Years Straight

Website: www.mecinc.com

Thanks for choosing MEC! Every machine is hand set and tested prior to leaving our shop to ensure quality. We take pride in our products, so you can have a better experience in the field. Your patronage is very much appreciated!

For any questions regarding setup or use of any MEC Clay Target Machines, please give us a call or you can visit us on our website for video footage showing how setup and adjustments are made.

To receive our monthly newsletter, go to our website, select the "Shooting Sports Lifestyle" tab and click "Join Us".